

TRIUMPH

REPLACEMENT PARTS CATALOGUE

FOR

BLAZER SS T25 SS TRAIL BLAZER T25T

1971 Models

**TRIUMPH ENGINEERING COMPANY LIMITED
MERIDEN WORKS . ALLESLEY . COVENTRY CV5 9AU . ENGLAND
TELEPHONE COVENTRY 20221
MERIDEN 331**

**TELEGRAMS "TRUSTY" COVENTRY
TELEX "TRUSTY" 31305**

INTRODUCTION

The Triumph Engineering Co. Ltd. point out that the information contained in this catalog was complete and correct at the time of printing. Distributors will be informed of any subsequent alterations.

A plastic binder, of the type used for Workshop Manuals, is available to enable this catalogue and all other 1971 season catalogues to be bound into one unit.

GUARANTEE

Please refer to your local dealer or distributor for the latest terms of guarantee.

Eastern U.S.A. Distributor:

Triumph Motorcycle Corporation,
P.O. Box 6790,
Towson,
Baltimore 4,
Maryland 21204.

Telex—Tricor Balt. 87728
Telephone—301-252-1700

Western U.S.A. Distributor:

Triumph Motorcycle Corporation,
P.O. Box 2765,
East Huntington Drive,
Duarte,
California 91010.

Telex—Tricor Duarte 675469
Telephone—213-359-3221
213-681-0255

ENGINE AND FRAME NUMBERS

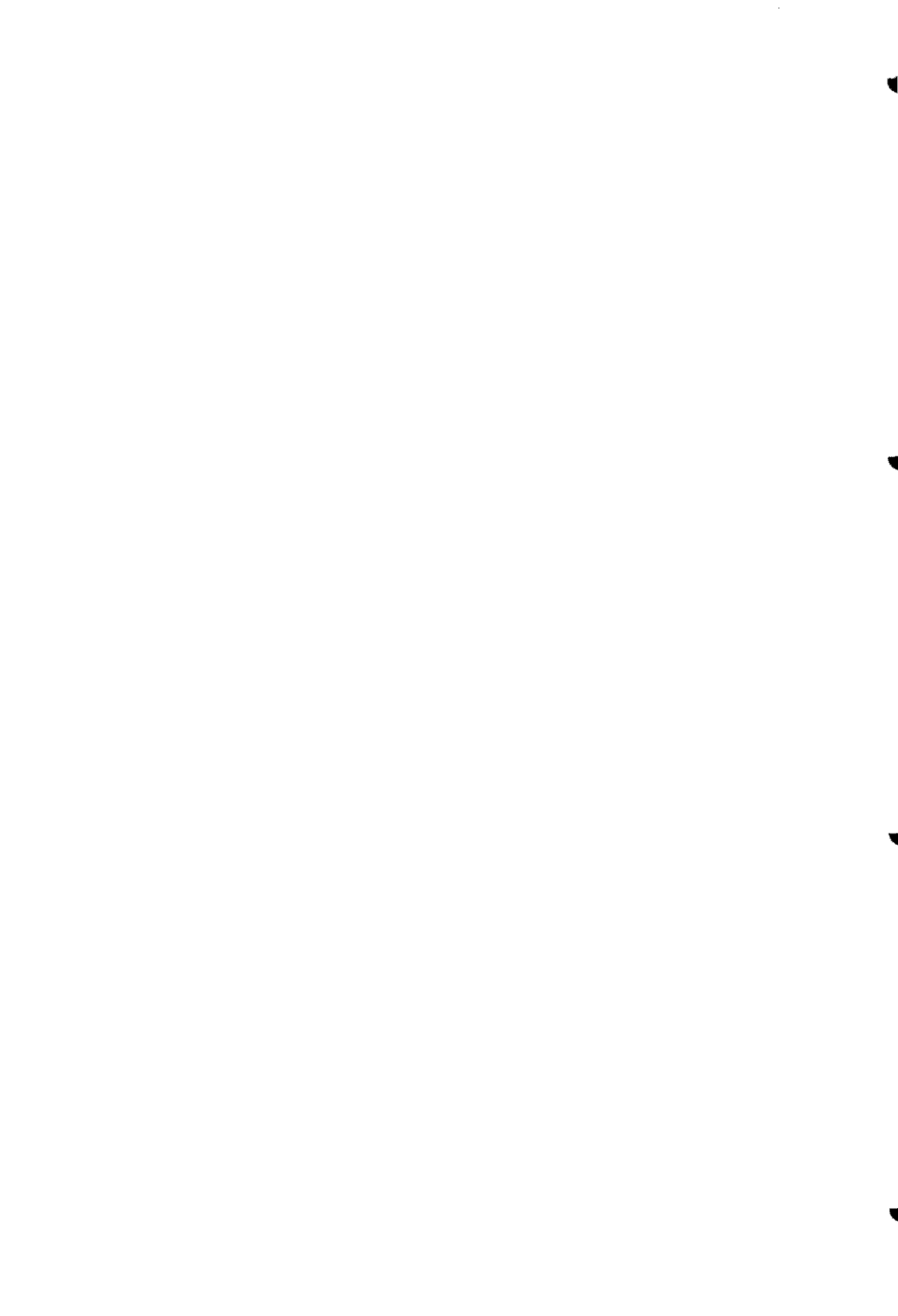
The engine number is located on the left side of the engine, immediately below the cylinder barrel to crankcase flange.

The frame number is located on the left side of the frame headlug, beneath the fork top lug and forward of the gasoline tank.

Both the engine and frame number should be quoted in full in any correspondence relating to the machine.

INDEX

	Page		Page
AIR CLEANER	13	MOTOR FIXINGS	27
ALTERNATOR	17, 25	MUFFLER	29
BATTERY CARRIER	29	OIL FILTER	27
CARBURETOR	13	OIL PUMP	17
CARTON PACKS	7	OIL RELEASE VALVE	15
CHAINGUARD	33	PILLION FOOTRESTS	45
CHAINS	25, 39	PISTON	9
CLUTCH	25	PRIMARY CHAINCASE	25
COIL	51	PROP STAND	33
CONTACT BREAKER	23	REAR WHEEL	41
CONTROL CABLES	47	RECTIFIER	51
CONTROL LEVERS	47	REFLECTORS	43, 51
CRANKCASE	15	SIDE COVER	29
CRANKSHAFT	9	SPARK PLUGS	9
CYLINDER HEAD	9	SPEEDOMETER	53
ELECTRICAL BOX	51	SUSPENSION UNITS	33
EXHAUST PIPES	29	SWITCHES	47, 51
FENDERS	43	TABLE OF STANDARD HARDWARE	56
FLASHERS	53	TACHOMETER	53
FOOTRESTS	45	TAIL LAMP	43
FRAME	31	TIMING COVERS	21
FRONT FORKS	35, 37	TOOLKIT	55
FRONT WHEEL	39	TWINSEAT	49
GAS TANK	49	VALVES	11
GASKET SETS	7	WIRING HARNESS	51, 53
GEARBOX	19, 21	ZENER DIODE	51
HANDLEBARS	47		
HEADLAMP	53		
HORN	51		





**BLAZER SS (T25SS) AND TRAIL BLAZER (T25T)
TECHNICAL DATA**

Bore and stroke	67 x 70 mm.	
Capacity	15 cu.in. (247 c.c.)	
Compression ratio	9.5 : 1	
Sparking plug	Champion N3	
Carburetor	Amal Concentric 928/20	
	Choke size	28 mm.
	Main jet	190
	Needle jet	·106
	Needle	Standard
	Throttle valve	No. 3
Gearbox sprocket	16 teeth T25T	
	17 teeth T25SS	
Final Drive Sprocket	52 teeth	
Chains	Front	$\frac{3}{8}$ in. x $\frac{7}{32}$ in. Duplex x 70 links
	Rear	$\frac{5}{8}$ in. x $\frac{1}{4}$ in. x 106 links
Capacities	Fuel tank	2½ U.S. galls.
	Oil reservoir	4 pints
	Gearbox	$\frac{1}{2}$ pint (285 c.c.)
	Primary chaincase	$\frac{1}{4}$ pint (150 c.c.)
	Front forks (each leg)	$\frac{1}{3}$ pint (190 c.c.)
Brakes	Front and rear diameter	6 in.
Tyre size	Front	3.00 x 20 T25T
		3.25 x 18 T25SS
	Rear	3.50 x 18 T25SS
		4.00 x 18 T25T

HOW TO USE THIS PARTS CATALOGUE

Consult the index on Page 3 for the parts or group of parts which you wish to locate.

List the quantities required as single units; do not ask for "2 pairs" or "3 dozen".

Items marked "reference only" are not available from the factory.

Proprietary components e.g. electrical equipment, carburetors, suspension units etc. are listed in the first column under proprietary part numbers. Where they are stocked at the factory the Triumph part number appears after the description.

PLEASE NOTE

THROUGHOUT THIS LIST, ASSEMBLIES ARE PRINTED IN CAPITALS AND THE COMPONENTS INCLUDED IN THAT ASSEMBLY ARE INDENTED IN THE DESCRIPTION COLUMN, REVERTING TO THE ORIGINAL ALIGNMENT WHEN THE ASSEMBLY IS COMPLETE. TO ORDER THE COMPLETE ASSEMBLY IT IS NECESSARY ONLY TO QUOTE THE ASSEMBLY NUMBER. ANY COMPONENT PARTS LISTED MAY ALSO BE OBTAINED SEPARATELY IF REQUIRED.

SPECIAL WORKSHOP TOOLS

A COMPLETE LIST OF WORKSHOP TOOLS CAN BE MADE AVAILABLE BY EITHER CONTACTING YOUR DEALER OR APPLYING DIRECT TO THE DISTRIBUTOR. IN MOST CASES THESE TOOLS ARE VERY COSTLY AS THEY ARE MADE ENTIRELY FOR WORKSHOP USE, AND THEREFORE, IT IS NOT RECOMMENDED THAT THE PRIVATE OWNER PURCHASES THE TOOLS IN ORDER TO AID SERVICING THE MACHINE ONCE OR TWICE ONLY. IN THESE CIRCUMSTANCES IT IS FAR MORE ECONOMICAL TO GET IN TOUCH WITH A RECOGNISED DEALER.

UNIFIED THREAD FORM

NEW PARTS HAVING THREADED FIXINGS INTRODUCED IN THIS CATALOGUE HAVE THE UNIFIED FORM OF SCREW THREADS. THIS CHANGEVER WILL BE CONTINUED AS AND WHEN NEW PARTS ARE INTRODUCED. EVEN WHERE PARTS ARE SIMILAR IN APPEARANCE NEW PART NUMBERS WILL BE ALLOCATED TO IDENTIFY THE UNIFIED THREADS. ALL NUTS, BOLTS AND STUDS HAVING THIS THREAD ARE IDENTIFIED BY MARKINGS. BOLTS HAVE A CIRCULAR RECESS IN THEIR HEADS, STUDS A CIRCULAR GROOVE ON THE END, AND NUTS HAVE INTERLOCKING CIRCLES ON THE SIDE.

CARTON PACK LIST

The following sub-assemblies are supplied in carton packs under the part number stated. The contents of these carton packs are preserved and will not deteriorate under adverse conditions.

PISTON (complete with rings, gudgeon pin and circlips). These are in effect 'carton pack' assemblies.

E11801	9.5 : 1 C.R.	STANDARD SIZE
E11802	9.5 : 1 C.R.	$\frac{1}{2}$ mm. oversize
E11803	9.5 : 1 C.R.	1 mm. oversize
OVERHAUL GASKET SET	99-1166	
DECOKE GASKET SET	99-1163	

PARTS VARYING FROM STANDARD SIZE

The following are the part numbers of piston rings to suit oversizes of $+\frac{1}{2}$ mm. and $+1$ mm. These rings are no longer available in carton packs:

PISTON RINGS		
($\frac{1}{2}$ mm. oversizes)	2	E9017 Taper compression ring
	1	E9021 Scraper ring
PISTON RINGS		
(1 mm. oversize)	2	E9018 Taper compression ring
	1	E9022 Scraper ring
Big end bearing undersizes	0.010 in.	Part Number E6068/10
	0.020 in.	Part Number E6068/20
	0.030 in.	Part Number E6068/30

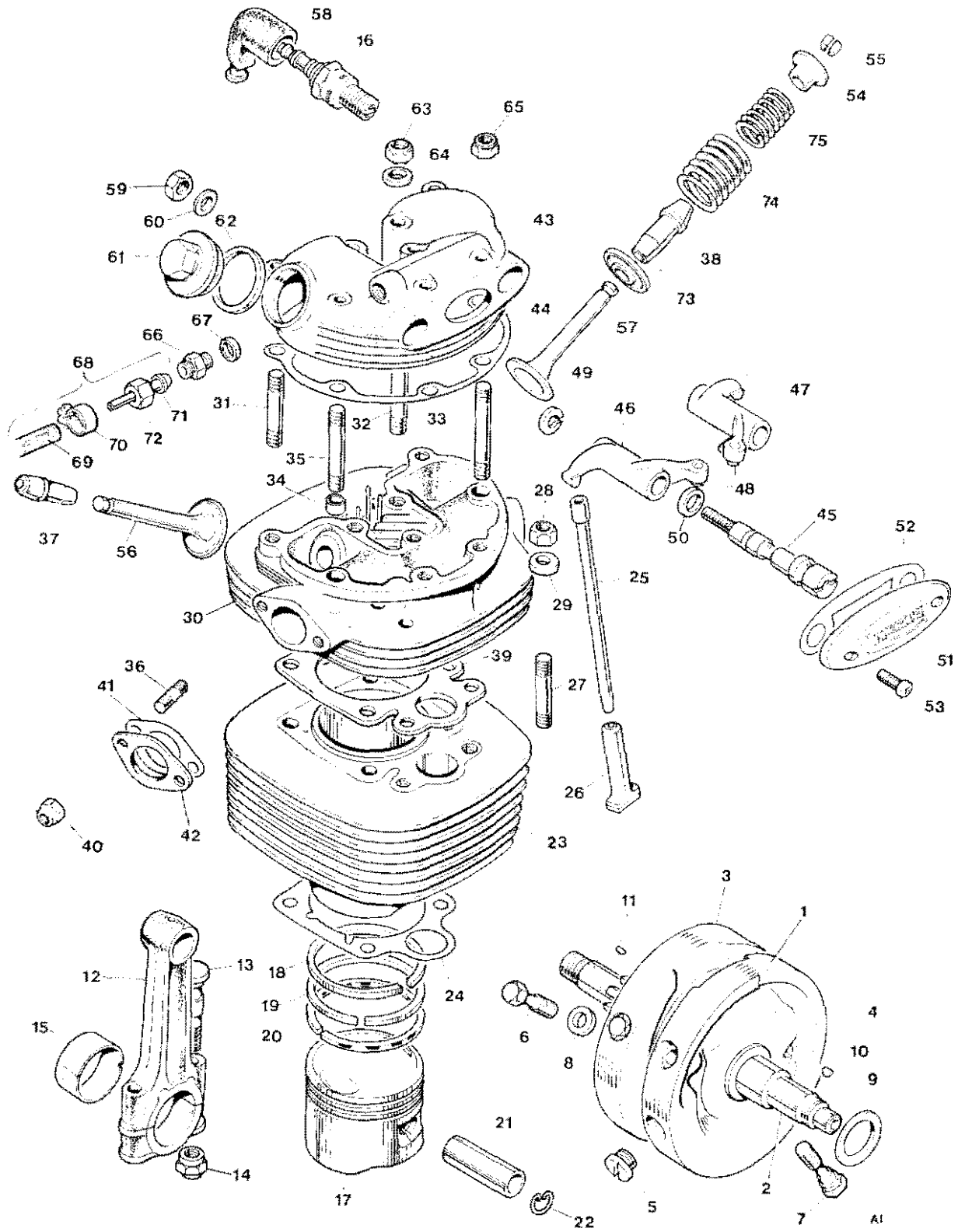


Fig. 1. CYLINDER HEAD, BARREL AND CRANKSHAFT

Ref. No.	Part No.	DESCRIPTION	QUANTITY
CYLINDER HEAD, BARREL AND CRANKSHAFT			
1	E12284	CRANKSHAFT AND FLYWHEEL ASSEMBLY	1
2	E12285	Crankshaft	Reference only
3	E12287	FLYWHEEL DRIVE SIDE	Reference only
4	E12288	FLYWHEEL TIMING SIDE	Reference only
5	E8036	Screwed plug	1
6	E8032	Flywheel bolts (1 $\frac{1}{8}$ in. U.H.)	4
7	E8033	Flywheel bolts (2 in. U.H.)	4
8	E11003	Washer	8
9	E8304	Shim (0.003 in.)	A.R.
9	E8305	Shim (0.005 in.)	A.R.
9	E8038	Shim (0.010 in.)	A.R.
9	E8039	Shim (0.015 in.)	A.R.
10	E1580	Crankshaft pinion key	1
11	E8144	Rotor key	1
12	E9911	CONNECTING ROD	1
13	E9914	Connecting rod bolt	2
14	S2016	Self locking nut	2
15	E6068	Connecting rod big end bush (available in undersizes of 0.010 in., 0.020 in., 0.030 in.)	1 (supplied in pairs)
16	D911	Sparking plug N.3	1
17	E11801	*PISTON COMPLETE	1
18	E6838	Taper compression ring	1
19	E6838	Taper compression ring	2
20	E6839	Oil control ring	1
21	E6861	Gudgeon pin	1
22	E6869	Circlip	2
23	E9263	Cylinder barrel	1
24	E12233	Cylinder base washer	1
25	E8053	Push rod (exhaust)	1
25	E8055	Push rod (inlet)	1
26	E12513	Tappet	2
27	E8008	Cylinder barrel stud (2 $\frac{1}{16}$ in. O.A.)	2
28	E8196	Stud nut	2
29	E8215	Washer	2
30	E12238	CYLINDER HEAD	1
31	S2092	Stud	2
32	14-1627	Stud	2
33	14-1629	Stud	3
34	E11989	Dowel	2
35	14-1627	Stud	2
36	14-1619	Carburetor stud	2
37	E12231	Valve guide (inlet)	1
37	E11227	Service size valve guide +.002 in.	1
37	E11228	Service size valve guide +.015 in.	1
38	E12226	Valve guide (exhaust)	1
38	E11229	Service size valve guide +.002 in.	1
38	E11230	Service size valve guide +.015 in.	1
39	E8081	Cylinder head gasket	1
40	E8137	Carburetor stud nut	2
41	E11416	Carburetor flange washer	1

*Refer to page 7 for oversizes.

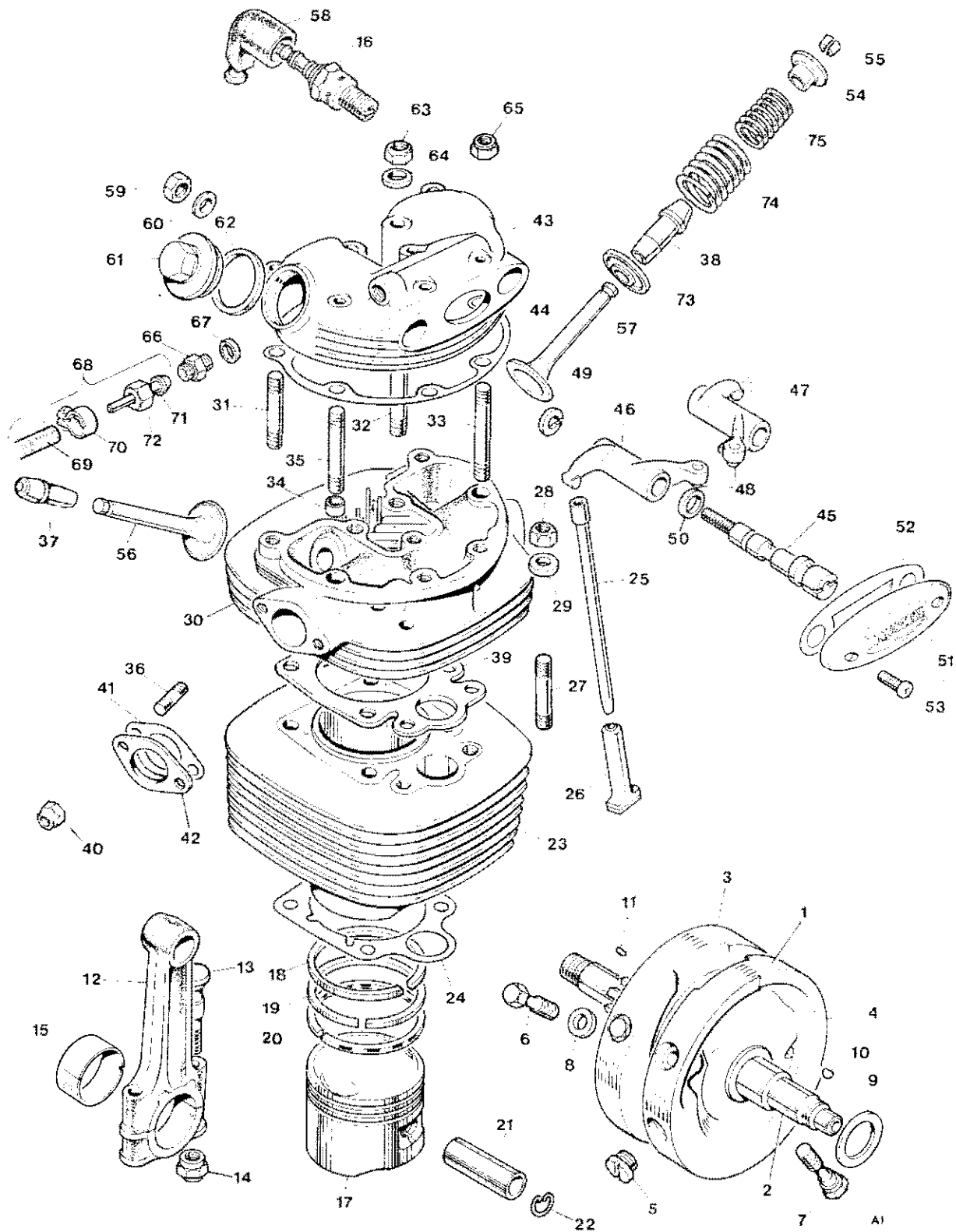


Fig. 1. CYLINDER HEAD, BARREL AND CRANKSHAFT

CYLINDER HEAD, BARREL AND CRANKSHAFT *continued*

42	E7820	Distance piece	1
43	E12196	Rocker box	1
44	E12198	Rocker box gasket	1
45	E7787	Rocker spindle	2
46	E7790	INLET ROCKER	1
47	E7791	EXHAUST ROCKER	1
48	E1483	Ball end	2
49	E1575	Thrust washer	2
50	E1330	Thrust washer	2
51	E8952	Inspection cover	1
52	E11425	Gasket	1
53	E8086	Screw ($\frac{1}{8}$ in. U.H.)	2
54	E11165	Top collar	2
55	E11166	Split collet	4 halves
56	E8112	Inlet valve	1
57	E7777	Exhaust valve	1
58	D1002	Plug cover	1
59	14-0403	Locknut	2
60	S25-2	Washer	2
61	E1564	Inspection cap	2
62	E1577	Washer	2
63	14-0302	Nut	2
64	D2330	Washer	9
65	14-1302	Nut	7
66	E8082	Union	1
67	E8083	Fibre washer	1
68	E8107	ROCKER FEED PIPE ASSEMBLY	1
69	E8109	Oil feed pipe	1
70	E8111	Clip	1
71	E8108	Nipple	1
72	E8110	Union nut	1
73	E12366	Bottom cup	2
74	E12223	Valve spring—outer	2
75	E8115	Valve spring—inner	2
Not illus.	H2635	Sealing washer	2

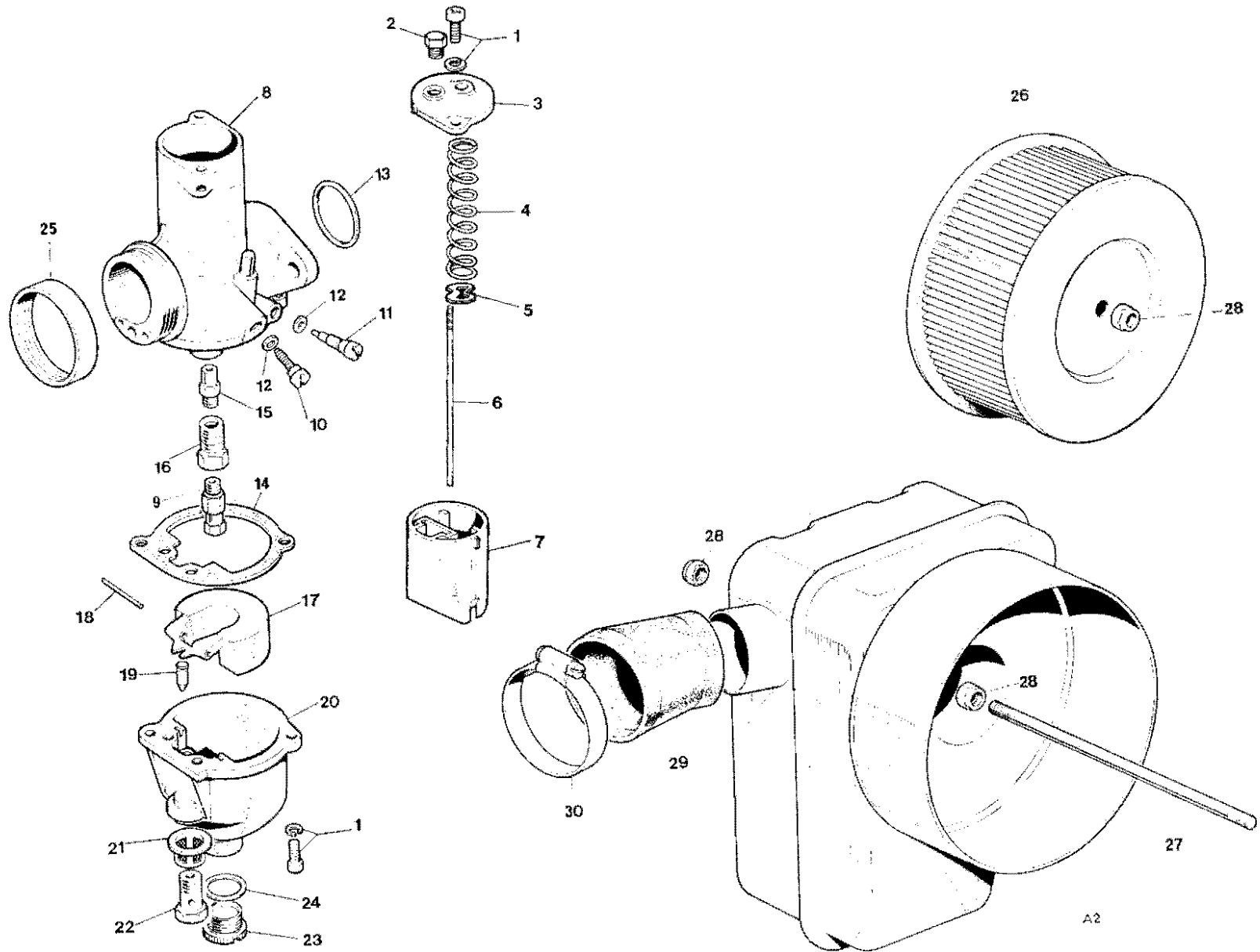


Fig. 2. CARBURETOR AND AIR CLEANER

A2

CARBURETOR AND AIR CLEANER

	R928/20	CARBURETOR COMPLETE (D3487)	1
1	622/086	Screw and washer (99-0521)	4
2	41137A	Plug screw (99-0221)	1
3	928/097	Top cap (99-0531)	1
4	622/061	Throttle spring (99-0507)	1
5	622/067	Circlip (99-0510)	1
6	928/063	Needle (99-0529)	1
7	928/060	Throttle valve (3½) (99-0527)	1
8	928/005	Body	Reference only
9	376/100	Main jet (190) (99-0444)	1
10	622/077	Throttle stop screw (99-0516)	1
11	622/076	Pilot air screw (99-0515)	1
12	622/082	"O" ring (99-0520)	2
13	622/101	"O" ring (99-0522)	1
14	622/073	Gasket (99-0514)	1
15	928/104	Needle jet (99-1225)	1
16	622/128	Jet holder (99-1034)	1
17	622/069	Float (99-0512)	1
18	622/071	Float spindle (99-0513)	1
19	622/068	Float needle (99-0511)	1
20	622/050	Float chamber (99-0506)	1
21	376/093	Filter (99-0438)	1
22	622/078	Banjo bolt (99-0517)	1
23	622/147	Drain plug (99-1152)	1
24	622/151	Washer (99-1153)	1
25	E11860	Adaptor	1
—	F13541	Air cleaner box	1
26	D2601	Element	1
27	S2108	Stud	1
28	14-0401	Nut	3
29	F12716	Induction pipe	1
30	D710	Clip—"Jubilee" type	1

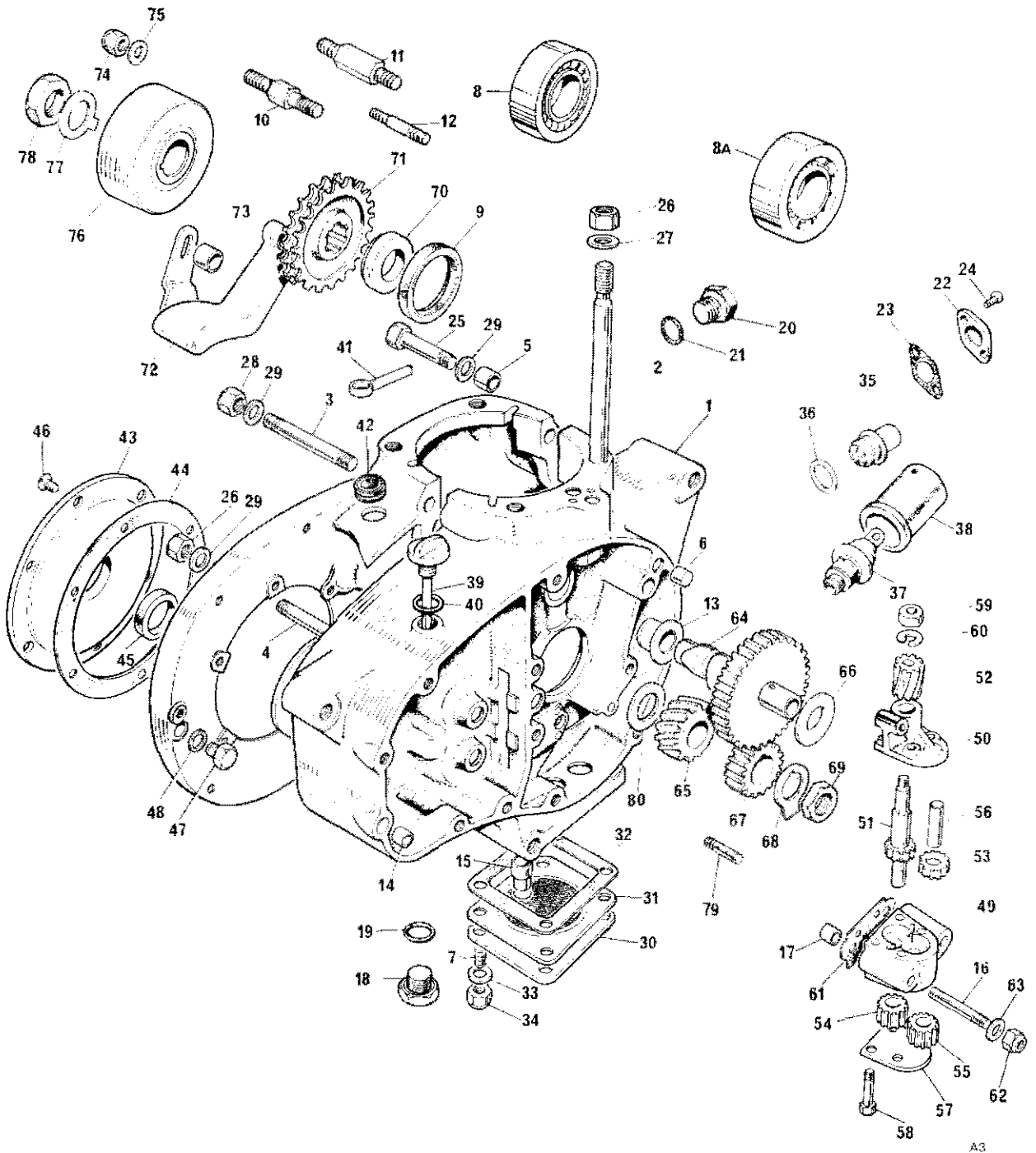


Fig. 3. CRANKCASE

Ref. No.	Part No.	DESCRIPTION	QUANTITY
CRANKCASE			
1	E11869	CRANKCASE	1
2	E8006	Cylinder securing stud	2
3	S2042	Crankcase top stud	2
4	S1890	Crankcase rear stud	2
5	E8009	Hollow dowel	1
6	E8011	Solid dowel	2
7	14-1401	Sump stud	4
8	E8003	Main bearing (ball-journal)	1
8A	E9974	Main bearing (roller bearing)	1
9	E8025	Oil seal left main bearing	1
10	S1894	Generator stud rear	1
11	S1895	Generator stud front	1
12	S1896	Generator stud bottom	1
13	E8315	Camshaft bush	1
14	E12547	Hollow dowel	1
15	E8017	Scavenge pipe	1
16	S597	Oil pump stud	2
17	E8022	Hollow dowel	2
18	S2111	Gearbox drain plug	1
19	D3530	"O" ring	1
20	S1872	Timing hole plug	1
21	E8896	Washer hole plug	1
22	E9384	Sealing plate	1
23	E8256	Sealing washer	1
24	T1150	Screw	2
25	14-6219	Bolt	3
26	14-0303	Cylinder securing nut	4
27	E8135	Washer	4
28	14-0302	Nut	4
29	E8088	Washer	7
30	E8065	Sump cover	1
31	E9979	Filter	1
32	E8070	Gasket	1
33	E8071	Plain washer	4
34	14-1901	Nyloc nut	4
35	E12210	Oil release valve	1
36	E12211	Joint washer	1
37	D2133	Oil pressure switch	1
38	D2045	Cover for oil switch	1
39	T2695	Dipstick	1
40	T948	Dipstick washer	1
41	E8147	Clip for alternator lead grommet	1
42	E8148	Alternator lead grommet	1
43	E3789	Oil seal housing	1
44	E11419	Gasket	1

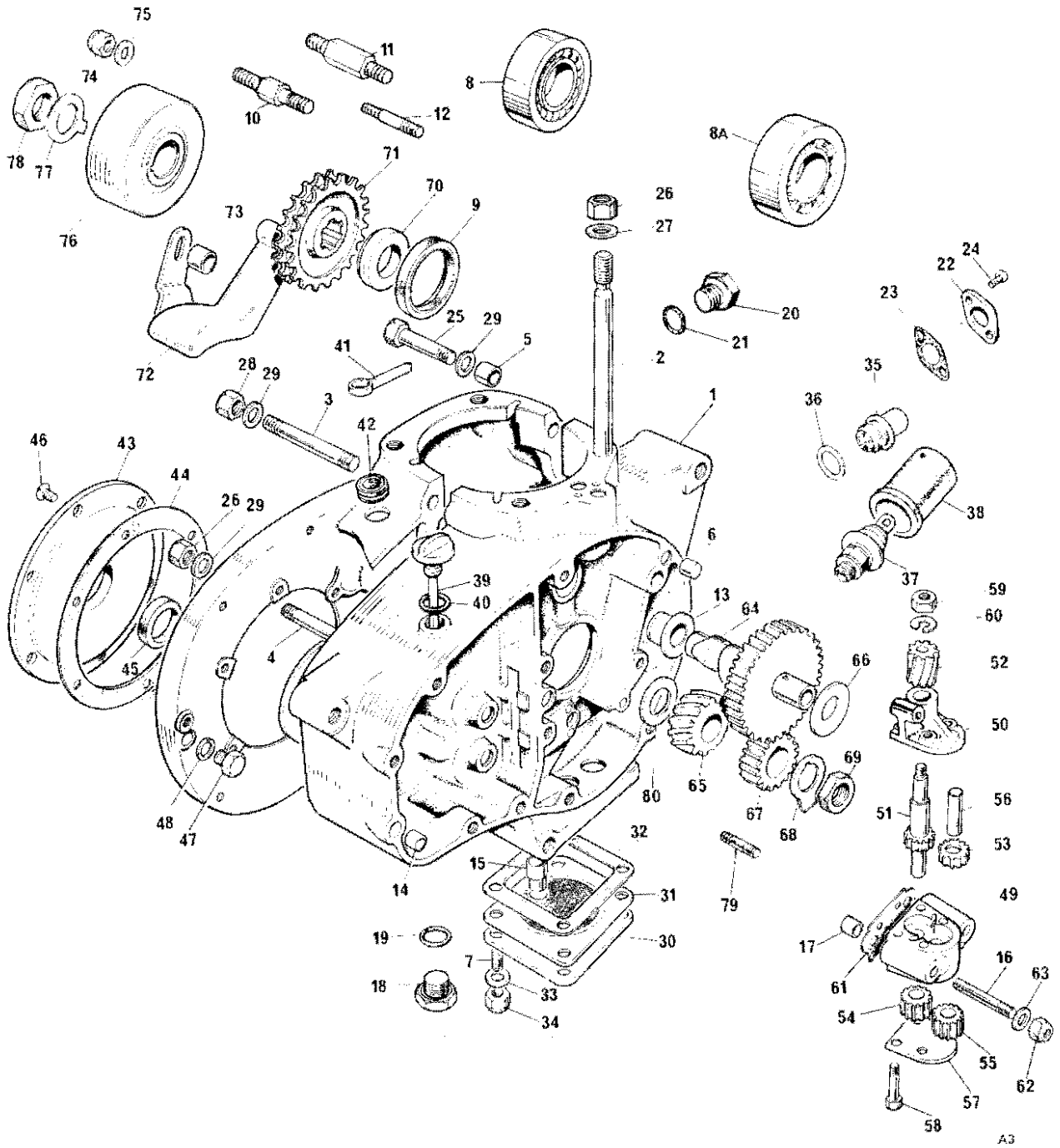


Fig. 3. CRANKCASE

Ref. No.	Part No.	DESCRIPTION	QUANTITY
CRANKCASE <i>continued</i>			
45	E3833	Oil seal	1
46	E3821	Screw	6
47	14-6102	Blanking plug	1
48	E8180	Fibre washer	1
49	E12227	OIL PUMP COMPLETE	1
50	E12119	Spindle housing	1
51	E12229	Spindle	1
52	E8094	Spindle gear	1
53	E12230	Feed gear—driven	1
54	E12122	Scavenge gear—driving	1
55	E12124	Scavenge gear—driven	1
56	E11147	Driven gear spindle	1
57	E8099	Bottom plate	1
58	E8100	Bolt	4
59	14-1301	Spindle gear nut	1
60	F9041	Spindle gear washer	1
61	71-2115	Gasket	1
62	14-1901	Holding nut	3
63	E8104	Washer	3
64	E12297	Camshaft c/w pinion	1
65	E8041	Drive gear	1
66	E12299	Distance washer	1
67	E8040	Crankshaft pinion	1
68	E8043	Lockwasher	1
69	W1798	Nut	1
Not illus.	E11819	Shim (.010 in. thick)	A.R.
Not illus.	E11820	Distance piece (.015 in. thick)	A.R.
70	E8142	Distance piece (.295 in. thick)	1
71	E8139	Engine sprocket (23T)	1
72	E8184	Chain tensioner	1
73	E8143	Distance piece	1
74	14-1901	Nut	3
75	E8072	Washer	3
76	54213901	Rotor (99-0739)	1
77	E8224	Tab washer	1
78	E8146	Nut	1
Not illus.	E11148	Dowel, pump body	2
Not illus.	E12338	Plug	1
79	14-1606	Oil pump stud	1
80	E12291	Distance piece	1

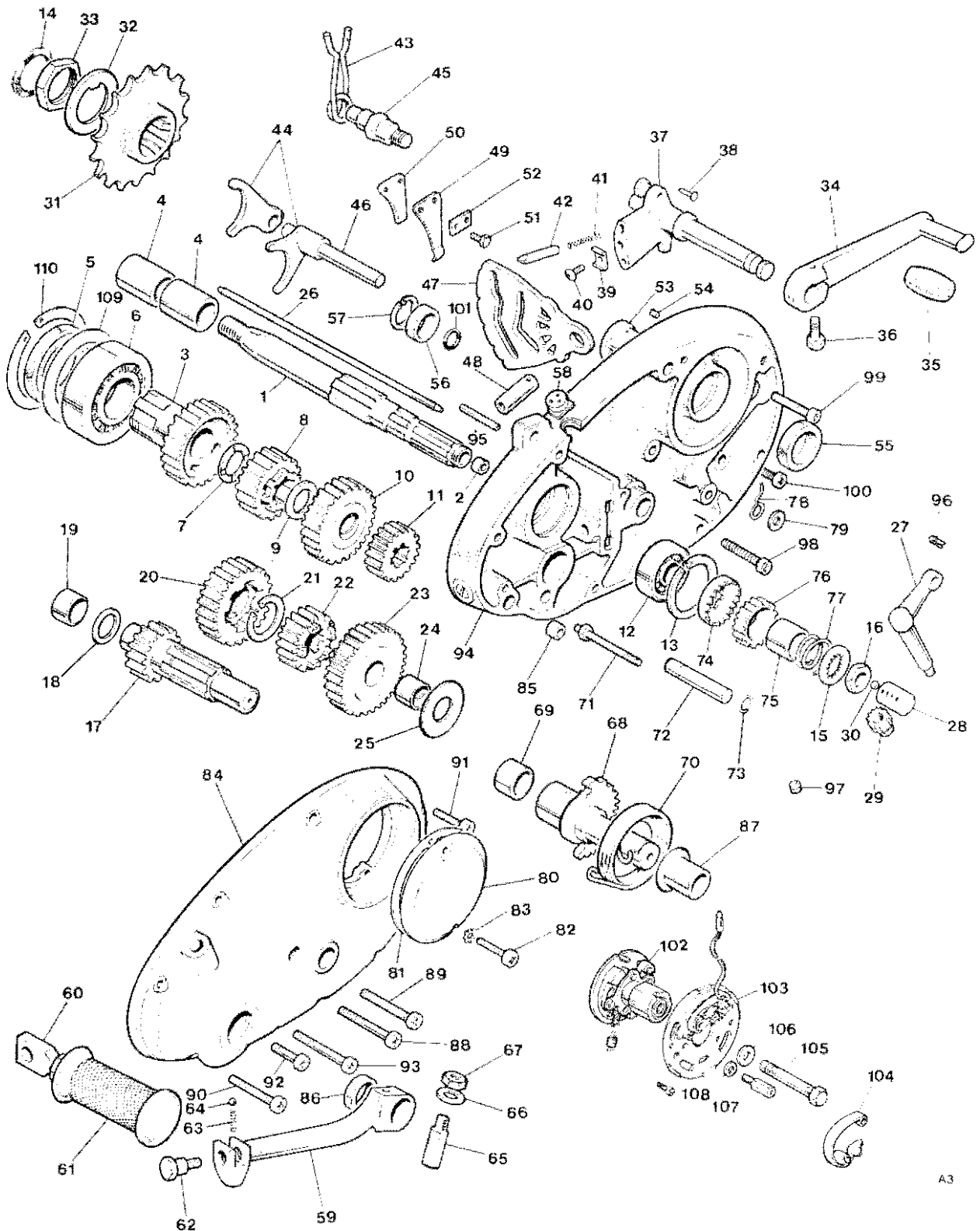


Fig. 4. GEAR CLUSTERS AND TIMING COVERS

GEAR CLUSTERS AND TIMING COVERS

Ref. No.	Part No.	DESCRIPTION	QUANTITY
1	T4344	MAINSHAFT COMPLETE WITH BUSH	1
2	T1391	Pushrod bush	1
3	T3872	HIGH GEAR (22T)	1
4	T2753	High gear bush	2
5	E8015	Mainshaft oil seal	1
6	E8014	Mainshaft bearing	1
7	T2678	Thrust washer (.093 in.)	1
7	T2679	Thrust washer (.098 in.)	A.R.
7	T2680	Thrust washer (.103 in.)	A.R.
8	T3876	Mainshaft second gear (21T)	1
9	T2664	Spacer (.075 in.)	A.R.
9	T2665	Spacer (.070 in.)	A.R.
9	T2666	Spacer (.080 in.)	A.R.
10	T2662	Mainshaft third gear (24T)	1
11	T2663	Mainshaft low gear (16T)	1
12	E8151	Mainshaft bearing	1
13	E8152	Bearing circlip	1
14	T2677	Felt washer	1
15	T4344	Lockwasher	1
16	T2686	Mainshaft nut	1
17	T2667	Layshaft and high gear (14T)	1
18	T2671	Thrust washer (.084 in.)	1
18	T2672	Thrust washer (.079 in.)	A.R.
19	E8005	Layshaft bearing	1
20	T2668	Layshaft second gear (22T)	1
21	T2669	Layshaft circlip	1
22	T3877	Layshaft third gear (19T)	1
23	T3874	LAYSHAFT LOW GEAR COMPLETE (27T)	1
24	T2752	Low gear bush	1
25	T2670	Spacing shim	1
26	T2733	Clutch push rod	1
27	T2750	Clutch lever complete	1
28	T2699	Clutch operating rack	1
29	T2700	Clutch operating pinion	1
30	E8019	Thrust ball	1
31	T2701	Gearbox sprocket (16T)	1 (T25T)
31	T2766	Gearbox sprocket (17T)	1 (T25SS)
32	T2702	Tabwasher	1
33	T1434	Nut	1
34	T1164	Gear change pedal	1
35	T2450	Pedal rubber	1
36	T2703	Pedal bolt ($\frac{11}{16}$ in. U.H.)	1
37	T2692	GEARCHANGE QUADRANT	1
38	T1277	Spring rivet	2
39	T2107	Keeper plate	1
40	T2435	Screw	1
41	T2106	Spring	2
42	T2105	Plunger	2
43	T1109	Return spring	1
44	T3854	Selector fork—mainshaft	1

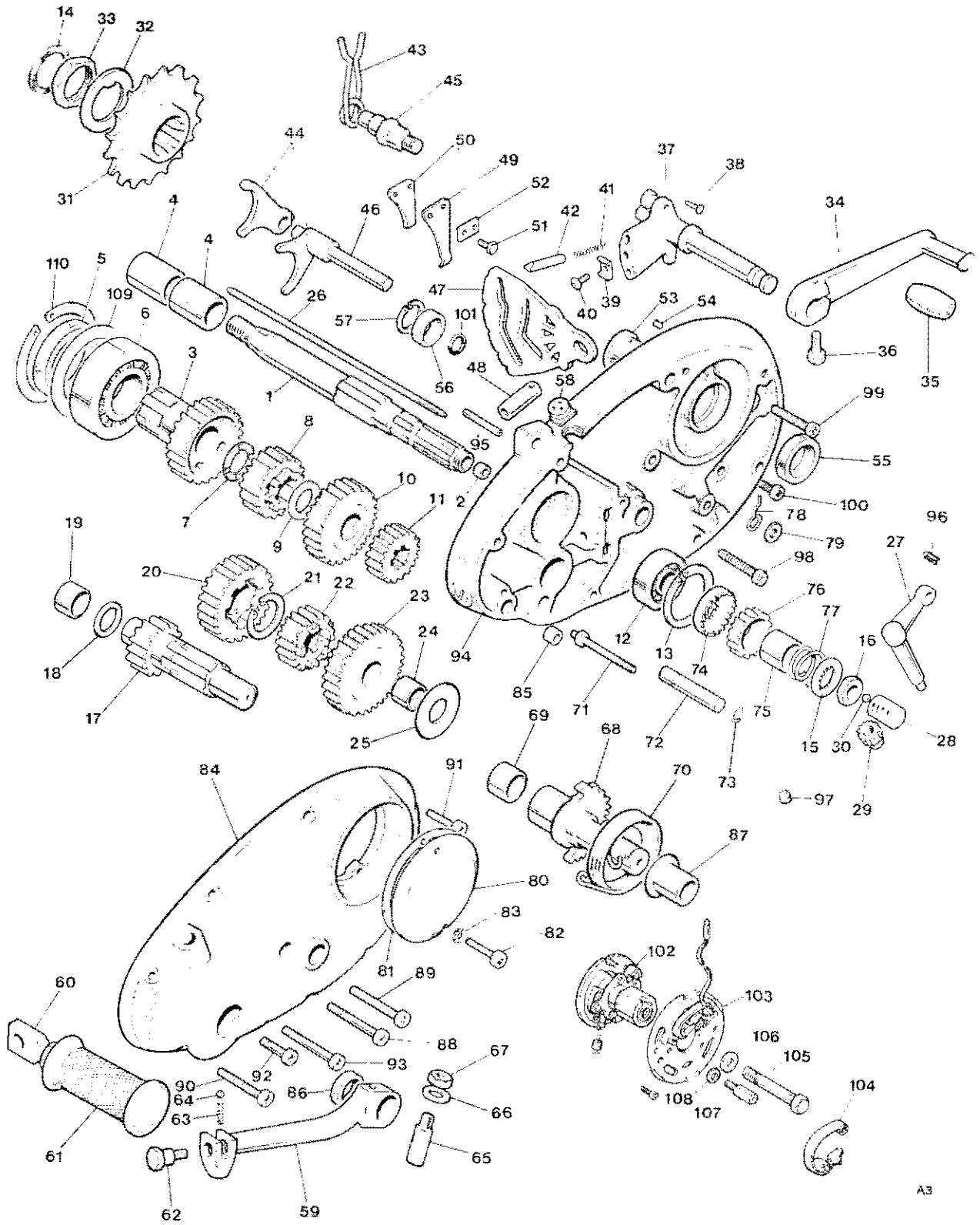


Fig. 4. GEAR CLUSTERS AND TIMING COVERS

GEAR CLUSTERS AND TIMING COVERS *continued*

44	T2689	Selector fork—layshaft	1
45	T3763	Anchor bolt	1
46	T2688	Selector spindle	1
47	T3850	Camplate	1
48	T4048	Camplate spindle	1
Not illus.	D2747	Split pin	1
49	T2691	Index spring	1
50	T1249	Spring backing	1
51	T1076	Screw	2
52	T1180	Lockplate	1
53	E8150	Camshaft bush	1
54	E3172	Peg	1
55	E8153	Camshaft oil seal	1
56	E8154	Crankshaft T/S oil seal	1
57	E8157	Oil seal circlip	1
58	E8155	Cable grommet	1
59	T2764	KICKSTART CRANK COMPLETE	1
60	T2646	Kickstart folding pedal	1
61	T2759	Pedal rubber	1
62	T1169	Pivot bolt (1 in. U.H.)	1
63	T1167	Spring	1
64	H2704	Steel ball	1
65	T4356	Cotter pin	1
66	T2705	Cotter washer	1
67	T2706	Cotter nut	1
68	T4341	KICKSTART SPINDLE	1
69	E8005	Needle roller	1
70	T4338	Return spring	1
71	T3764	Anchor pin	1
72	T4342	Kickstart stop	1
73	T2658	Circlip	1
74	T4339	Kickstart ratchet	1
75	T2682	Bush	1
76	T4336	Pinion	1
77	T2684	Spring	1
78	E8172	Contact breaker lead clip	1
79	E8072	Washer	1
80	E8737	Contact breaker cover	1
81	E11423	Gasket	1
82	E7354	Screw ($\frac{1}{2}$ in. U.H.)	2
83	E8165	Serrated washer	2
84	E12273	OUTER TIMING COVER	1
85	E12547	Hollow dowel	2
86	T2641	Kickstart oil seal	1
87	T2642	Bush	1
88	14-6612	Outer cover screw	3
89	14-6611	Outer cover screw	1
90	14-6610	Outer cover screw	1
91	E8169	Outer cover screw ($\frac{5}{8}$ in. U.H.)	3
92	14-6606	Outer cover screw	1

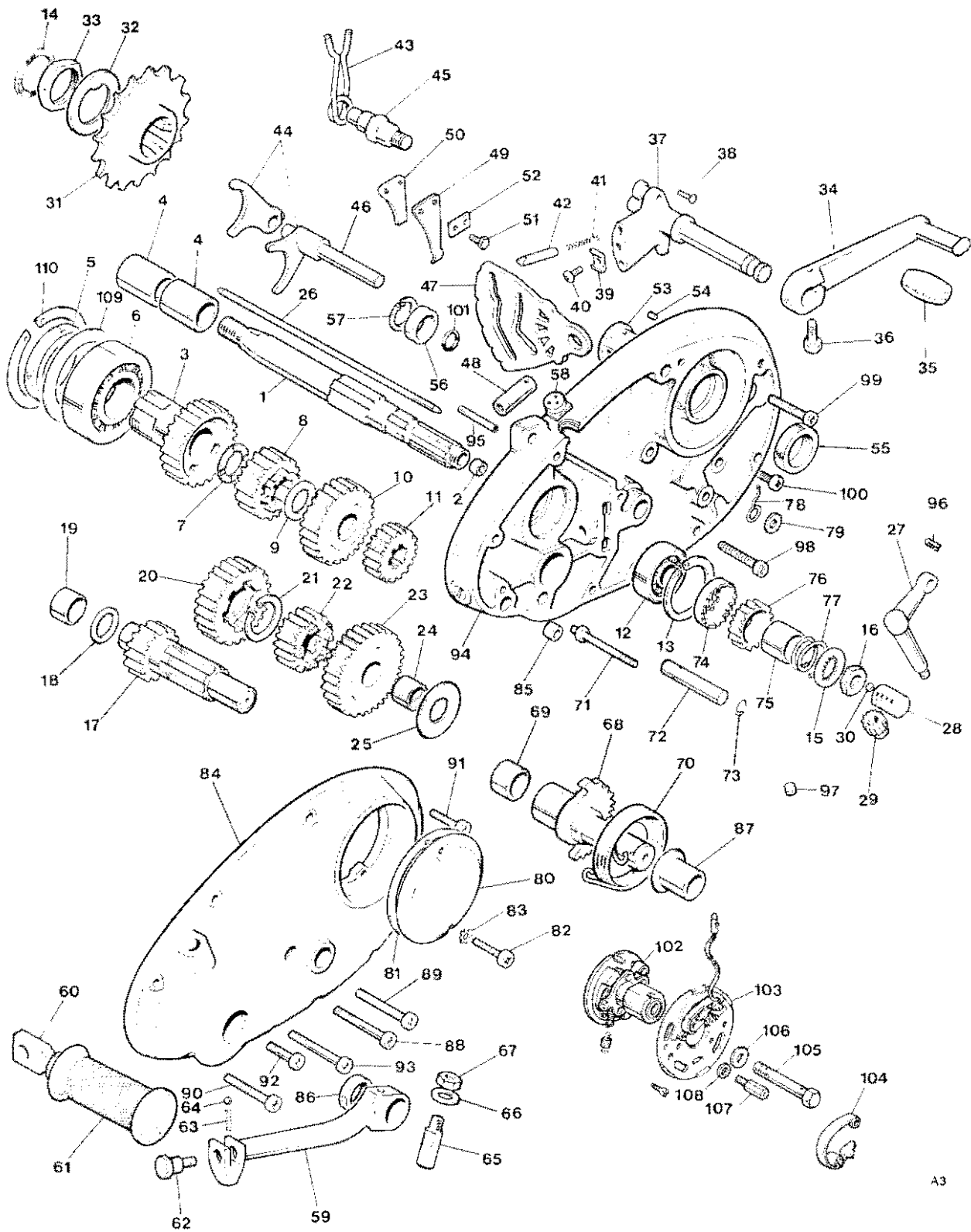


Fig. 4. GEAR CLUSTERS AND TIMING COVERS

GEAR CLUSTERS AND TIMING COVERS *continued*

93	14-6614	Outer cover screw	1
94	E12515	Inner timing cover	1
95	T1026	Breather tube	1
96	E8162	Screwed plug	1
97	E9526	Screwed plug (socket head)	Available
98	14-6608	Inner cover screw	1
99	14-6610	Inner cover screw	4
100	14-6606	Inner cover screw	2
101	E8158	"O" ring	1
102	54419653	*Auto-advance unit (99-1007)	1
103	D3166	Contact breaker	1
104	54419827	Points (99-0072)	1
105	14-0208	Contact breaker bolt	1
106	E8163	Washer	1
107	E4747	Clamp pillar bolt	2
108	E8164	Washer	2
109	E11271	Shield, mainshaft bearing	1
110	E6026	Circlip	1
111	E8124	Non return valve spring	1
112	H2704	Ball valve	1
113	S2044	Valve screw	1

*Spring set only 99-1011 (54417992).

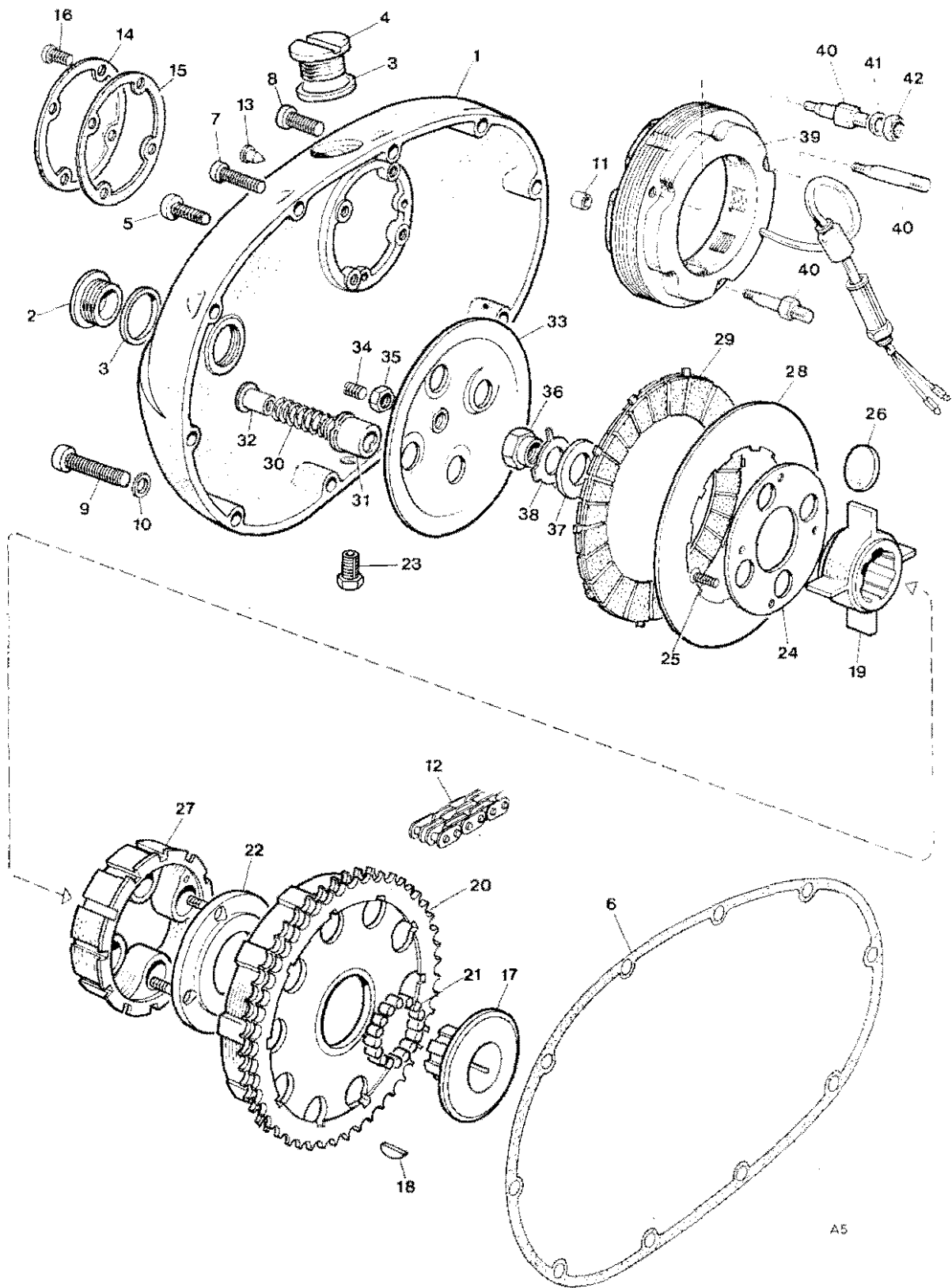


Fig. 5. CLUTCH AND PRIMARY CHAINCASE

CLUTCH AND PRIMARY CHAINCASE

Ref. No.	Part No.	DESCRIPTION	QUANTITY
1	E12026	Primary chaincase cover	1
2	T2166	Screwed plug	1
3	E8782	"O" ring	2
4	E9800	Filler plug	1
5	14-7804	Level plug	1
6	E11418	Chaincase gasket	1
7	14-6611	Cover screw	4
8	14-6610	Cover screw	5
9	S1951	Cover screw	1
10	E11065	Washer	1
11	E8010	Chaincase dowel	2
12	D951	Primary chain (70L)	1
13	E11619	Ignition pointer	1
14	E8955	Inspection cover	1
15	E11420	Gasket	1
16	E8177	Screw ($\frac{1}{2}$ in. U.H.)	4
17	T4200	Clutch hub	1
18	T2714	Clutch hub key	1
19	T2715	Clutch spider	1
20	T4198	Sprocket and housing	1
21	T2719	Roller	25
22	T2720	Inner retaining plate	1
23	S1943	Drain screw	1
24	T2721	Outer retaining plate	1
25	T2722	Screw ($\frac{1}{8}$ in. U.H.)	4
26	T2723	Shock absorber rubber drive and rebound	8
27	T4186	Centre	1
28	T2725	Driven plate	5
29	T2726	Driving plate	4
30	T2727	Spring	4
31	T4121	Cup	4
32	T2748	Spring nut	4
33	T4019	Pressure plate	1
34	T4189	Adjuster	1
35	14/0401	Locknut	1
36	T2730	Retaining nut	1
37	T2731	Plain washer	1
38	T2732	Lockwasher	1
39	47205	Stator (99-1006)	1
40	S1894	Generator stud rear	1
40	S1895	Generator stud front	1
40	S1896	Generator stud bottom	1
41	E8072	Washer	3
42	14-0901	Nut	3
Not illus.	T3931	Thrust washer	1

} See also
page 15

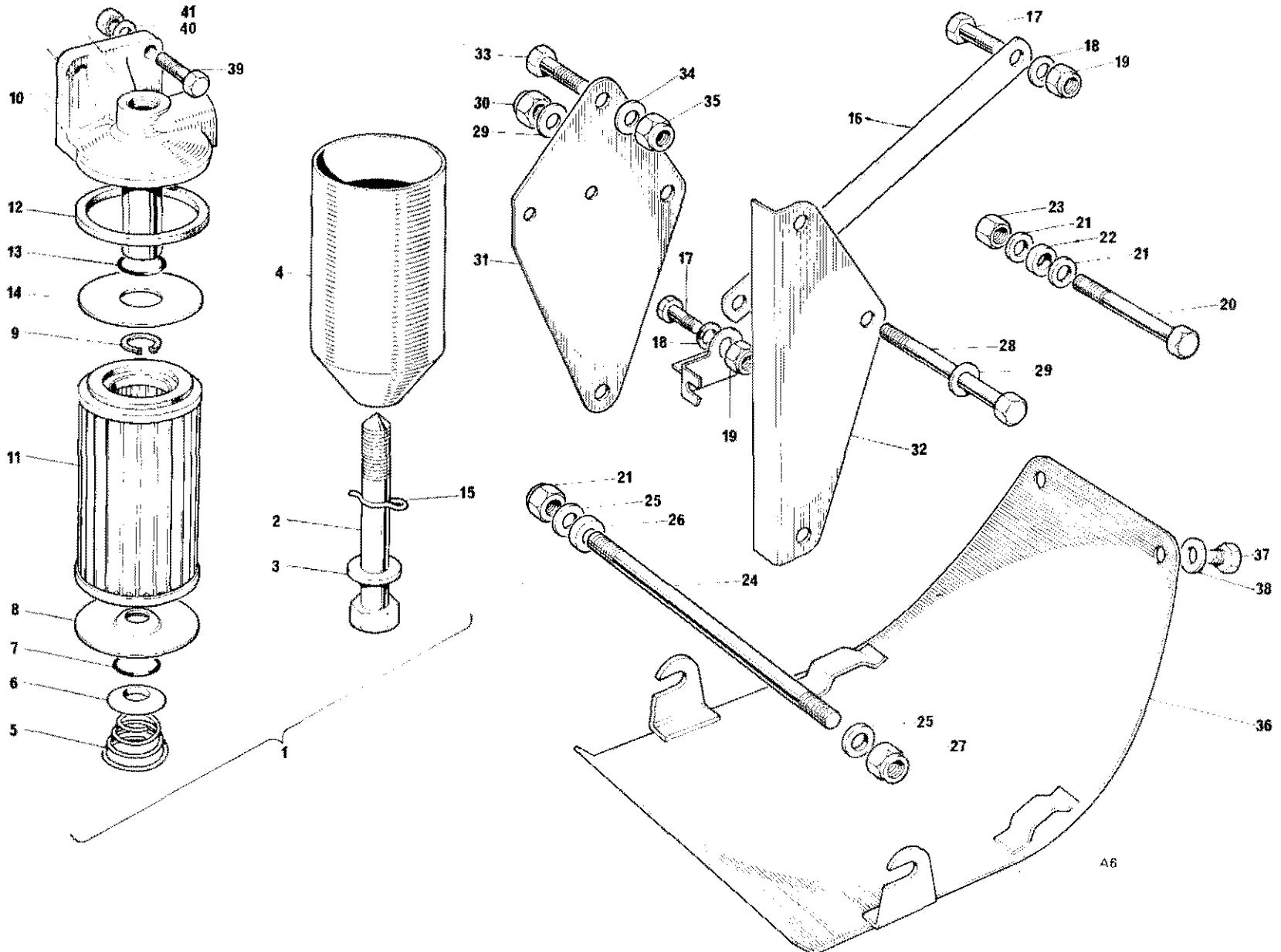


Fig. 6. OIL FILTER, MOTOR FIXINGS

Ref. No.	Part No.	DESCRIPTION	QUANTITY
OIL FILTER, MOTOR FIXINGS			
1	F8903	Oil filter (FB994)	1
2	150046	Centre bolt (99-1171)	1
3	137378	Washer (99-1172)	1
4	134399	Container	Reference only
5	160495	Spring (99-1174)	1
6	21171-402	Washer (99-1175)	1
7	X160/2	"O" ring (99-1176)	1
8	121008	Pressure plate	Reference only
9	X9413	Circlip (99-1178)	1
10	FB994/2	Filter head (99-1180)	1
11	FB994/1	Element (99-1179)	1
12	137377	Sealing washer (99-1181)	1
13	X160/3	"O" ring (99-1182)	1
14	134401	Pressure plate	Reference only
15	175083	Circlip (99-1184)	1
16	F13296	Motor steady strap	1
17	14-0126	Bolt	2
18	D2331	Washer	} Strap to motor and frame
19	14-1303	Nut	
20	14-0239	Bolt	
21	E8770	Washer	} Motor fixing
22	F12004	Spacer	
23	14-1303	Nut	1
24	S2061	Stud	1
25	E8770	Washer	} Motor fixing
26	F12005	Spacer	
27	14-1303	Nut	2
28	S671	Bolt	1
29	E8770	Washer	} Motor fixing—rear
30	14-1303	Nut	
31	F13063	Motor plate rear—L.H.	1
32	F12015	Motor plate rear—R.H.	1
33	14-0114	Bolt	} Motor plates to frame
34	E3446	Washer	
35	14-1302	Nut	4
36	F12228	Crankcase undershield	1
37	S543	Bolt	2
38	E3302	Washer	2
39	14-0114	Bolt	} Oil filter to motor plate
40	E3446	Washer	
41	14-1302	Nut	

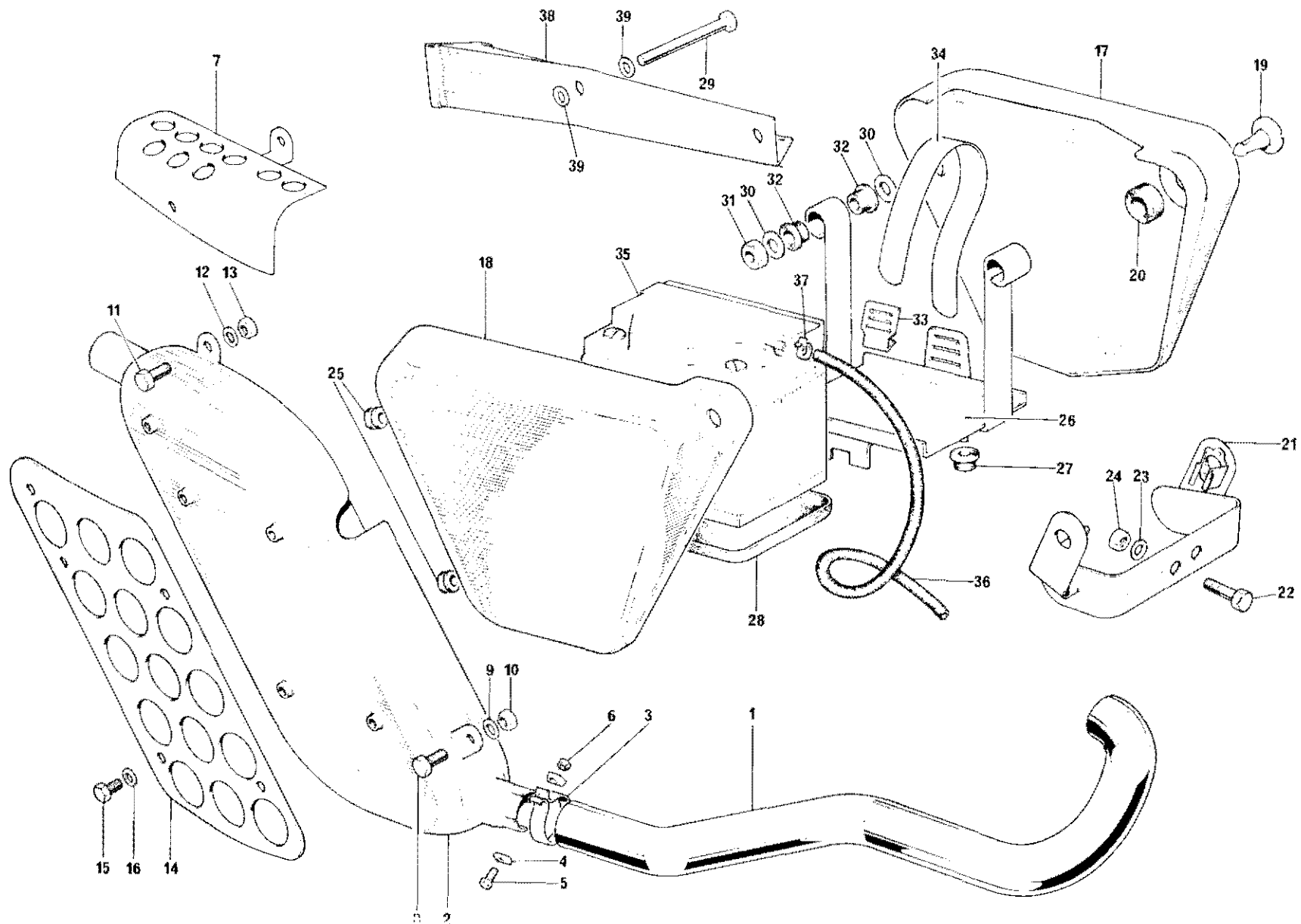


Fig. 7. EXHAUST SYSTEM, SIDE COVERS AND BATTERY

EXHAUST SYSTEM SIDE COVERS AND BATTERY

Ref. No.	Part No.	DESCRIPTION	QUANTITY
1	E12176	Exhaust pipe	1
2	E12400	Muffler	1
3	E2271	Fixing clip	1
4	E3768	D washer } Muffler to	2
5	14-0218	Bolt } exhaust pipe	1
6	14-1302	Nut }	1
7	E12402	Tailpipe heatshield	1
8	14-0113	Bolt	1
9	F8981	Washer } Muffler to lower fixing	1
10	14-1302	Nut }	1
11	14-0114	Bolt }	1
12	F8981	Washer } Muffler to top fixing	1
13	14-1302	Nut }	1
14	E12114	Heatshield	1
15	14-2203	Screw	5
16	E8163	Washer	5
17	F12937	Side cover—L.H.	1
18	F12938	Side cover—R.H.	1
19	OF522	Oddie fastener (D3159)	2
20	OF618	Rubber washer (D3160)	2
21	F13035	Front fixing bracket	1
22	14-0102	Bolt } Front fixing bracket	2
23	S602	Washer }	2
24	14-1301	Nut }	2
25	D3161	Grommet	4
Not illus.	D3263	Transfer	1 (T25T)
Not illus.	D3264	Transfer	1 (T25SS)
26	F12018	Battery carrier	1
27	F12006	Locating rubber	1
28	F9003	Support tray rubber	1
29	S2060	Bolt } Carrier	2
30	F11829	Washer } support	4
31	14-1301	Nut }	2
32	F12204	Rubber }	4
33	F9004	Battery strap hook	1
34	F9005	Battery strap	1
35	54027029	Battery PUZ 5A (99-0719)	1
36	F7431	Vent pipe	1
37	D981	Clip	1
38	F12671	Tool tray	1
39	D2347	Fixing washer	4

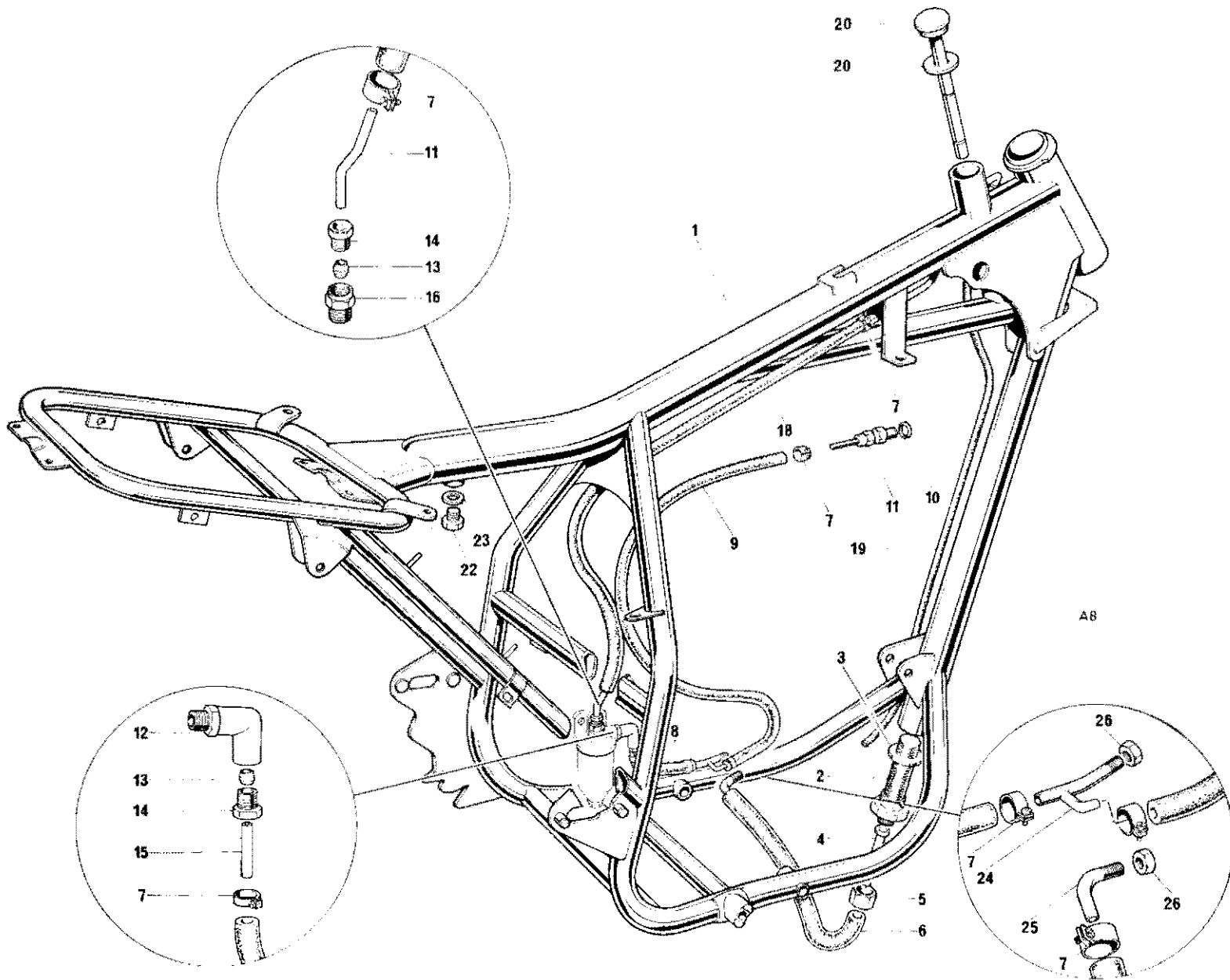


Fig. 8. FRAME

FRAME

1	F12985	Frame complete	1
2	F9430	Oil tank filter	1
3	F1713	Fibre washer	1
4	F3655	Oil feed pipe	1
5	F3182	Union nut	1
6	F13078	Oil feed pipe—frame to engine	1
7	E5473	Clip—oil pipes	7
8	F13080	Return pipe—engine to filter	1
9	E8084	Rocker feed pipe	1
10	E12604	Washer—oil filter inlet	1
11	E12603	Nut—oil filter inlet	1
12	E12602	Adaptor—oil filter inlet	1
13	D3065	Sleeve	2
14	E12605	Union nut	2
15	E12606	Connecting tube—oil filter inlet	1
16	F8901	Adaptor—oil filter outlet	1
17	F13081	Connecting tube—oil filter outlet	1
18	F13079	Return pipe—filter to frame	1
19	F13077	Breather pipe	1
20	F13046	Filler cap and dipstick assembly	1
21	E3751	Joint washer	1
22	S2015	Drain plug	1
23	PT104B	Joint washer	1
24	E12656	Oil scavenge pipe	1
25	E12658	Oil feed pipe	1
26	S2117	Nut-feed and scavenge pipes	2

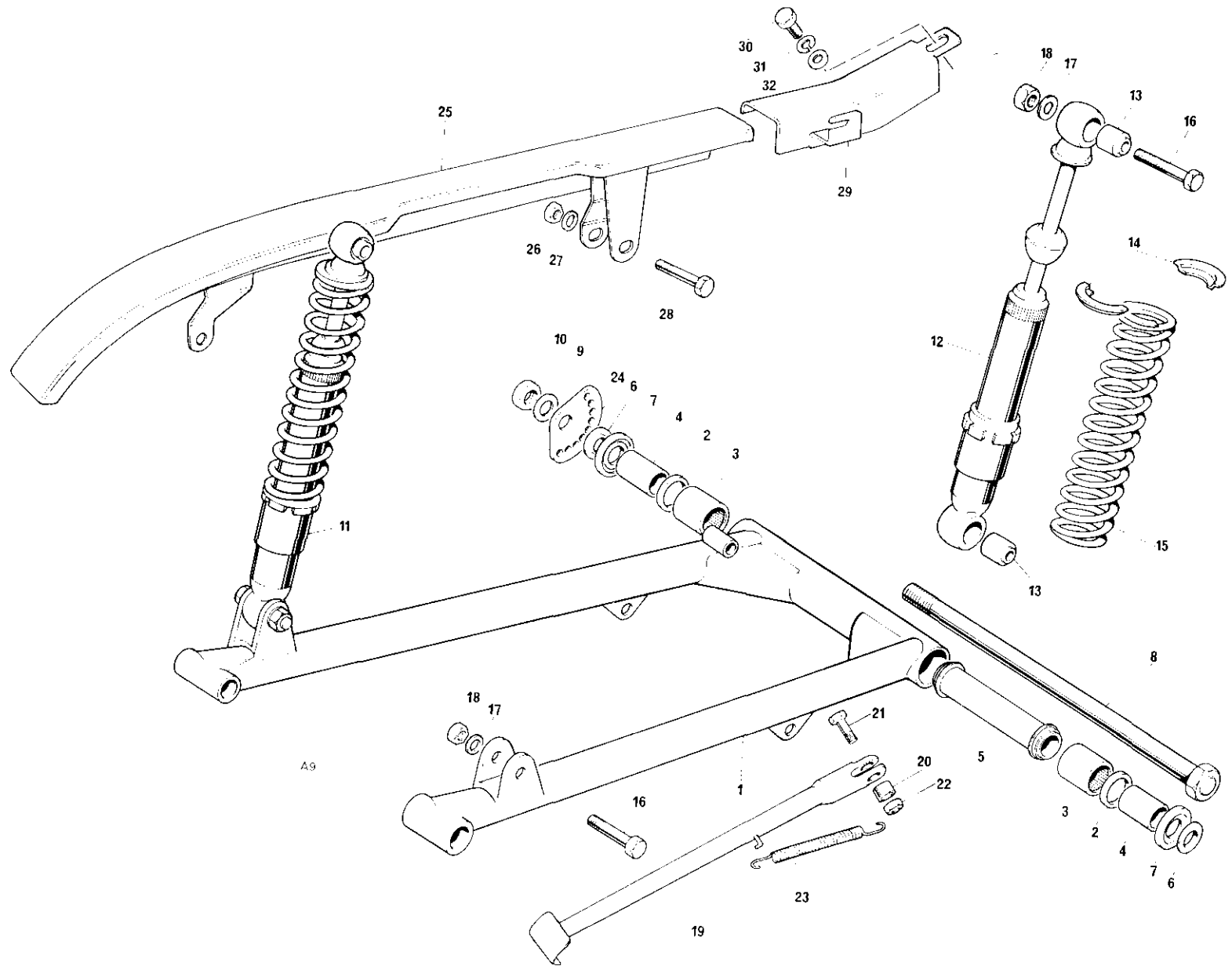


Fig. 9. SWINGING ARM AND SUSPENSION UNITS

SWINGING ARM AND SUSPENSION UNITS

Ref. No.	Part No.	DESCRIPTION	QUANTITY
1	F12213	Swinging arm	1
2	F12244	Oil seal	2
3	F12245	Bearing	2
4	F12012	Sleeve	2
5	F11969	Spacer tube	1
6	F12233	Thrust washer	2
7	F13014	Seal	2
8	F13554	Spindle	1
9	W2085	Washer	1
10	S755	Nut	1
11	64052453	Suspension unit (D3116)	2
12	2455	Damper unit (99-1185)	2
13	64533	Bonded bush (99-1186)	4
14	9054/171	Spring retainer (99-0107)	4
15	64543708	Spring (100 lb.) (G.G.) (99-1048)	4
16	14-0234	Bolt	4
17	D2322	Washer	4
18	14-1303	Nut	4
19	F13162	Prop stand	1
20	F13165	Distance piece	1
21	S2105	Screw	1
22	14-1303	Nut	1
23	F12898	Spring	1
24	F13556	Adjuster, rear chain	1
25	F12224	Rear chainguard	1
26	14-1302	Nut	1
27	D2339	Washer	1
28	14-0221	Bolt	1
29	F12674	Chainguard extension	1
30	14-6101	Bolt	1
31	D2417	Spring washer	1
32	D2329	Washer	1

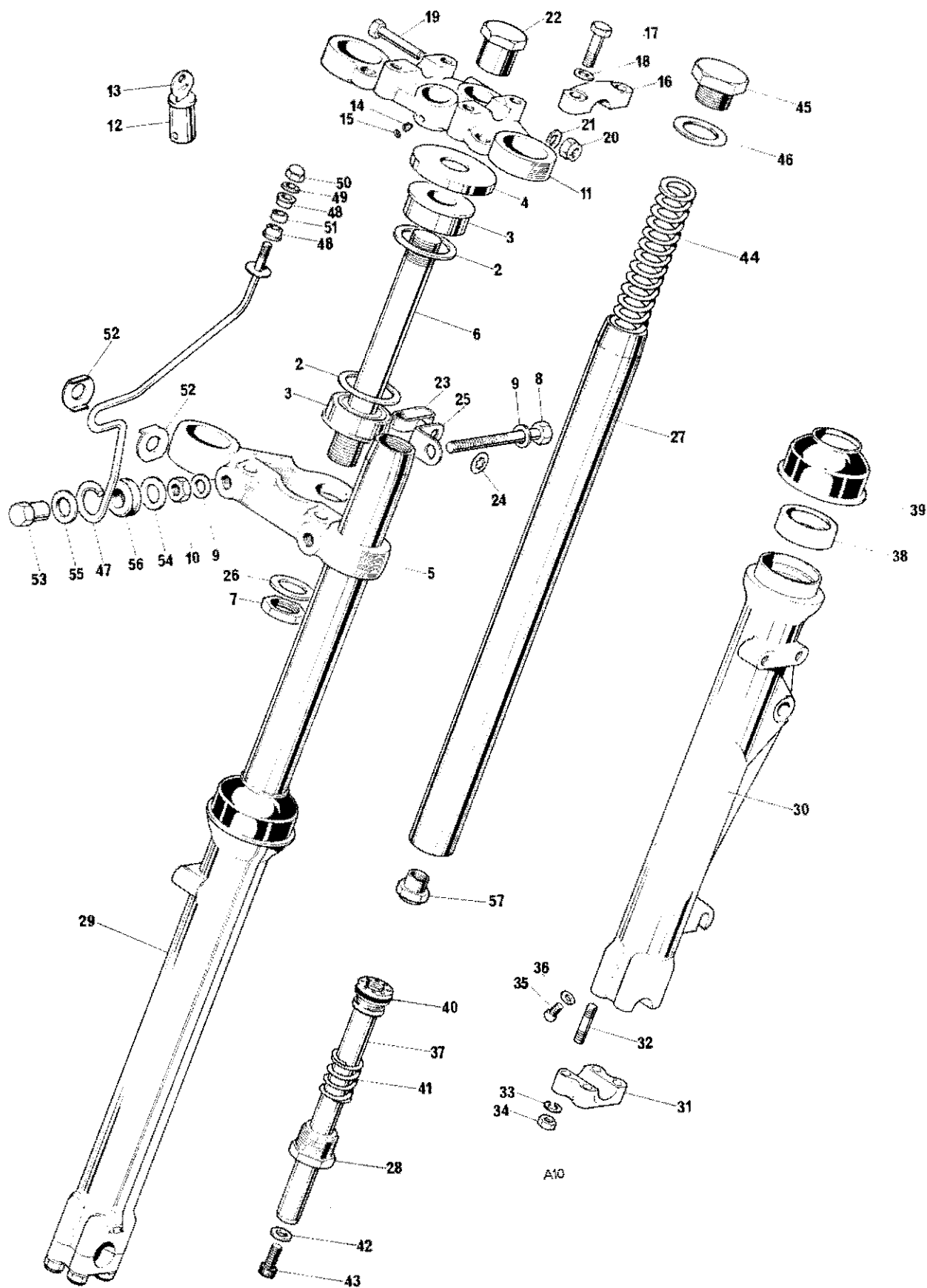


Fig. 10. TELESCOPIC FORKS

TELESCOPIC FORKS

Ref. No.	Part No.	DESCRIPTION	QUANTITY
1	H4113	FORK ASSEMBLY	1
2	F12007	Abutment ring	2
3	H4031	Bearing	2
4	H4028	Dust cover	1
5	H3987	Bottom yoke	1
6	H4116	Steering stem	1
7	14-7308	Steering stem nut	1
8	14-0240	Pinch bolt	2
9	S2138	Washer	4
10	14-1203	Nut	2
11	H3985	Top yoke	1
12	F6738	Anti theft lock c/w key	1
13	D623	Key (state serial no.)	1
14	S578	Grub screw	1
15	H2266	Sealing washer	1
16	H722	Handlebar cap	2
17	14-6219	Bolt	4
18	F13549	Washer	4
19	14-0236	Pinch bolt	1
20	14-1303	Nut	1
21	S2138	Washer	1
22	H4029	Steering stem nut	1
23	H2270	Brake cable retainer	2
24	F8245	Washer	2
25	H3682	Retaining bracket	2
26	D2336	Washer—bottom steering stem nut	1 (T25SS only)
27	H4007	Stanchion	2
28	H4076	End plug	2
29	H3952	Outer member—L.H.	1
30	H3989	Outer member—R.H.	1
31	H3947	Cap—wheel spindle	2
32	S2102	Stud	8
33	14-0302	Nut	8
34	D2428	Washer	8
35	H3894	Drain plug	2
36	H3893	Washer	2
37	H4200	Damper tube and valve assembly	2
38	H4001	Oil seal outer member	2
39	H4002	Scraper sleeve	2
40	H4003	"O" ring	2
41	H4009	Spring	2
42	H4004	Sealing washer	2
43	H4012	Bolt	2
44	H4011	Main spring	2
45	H4008	Top cap nut	2
46	H4166	Washer, fork top nut	2

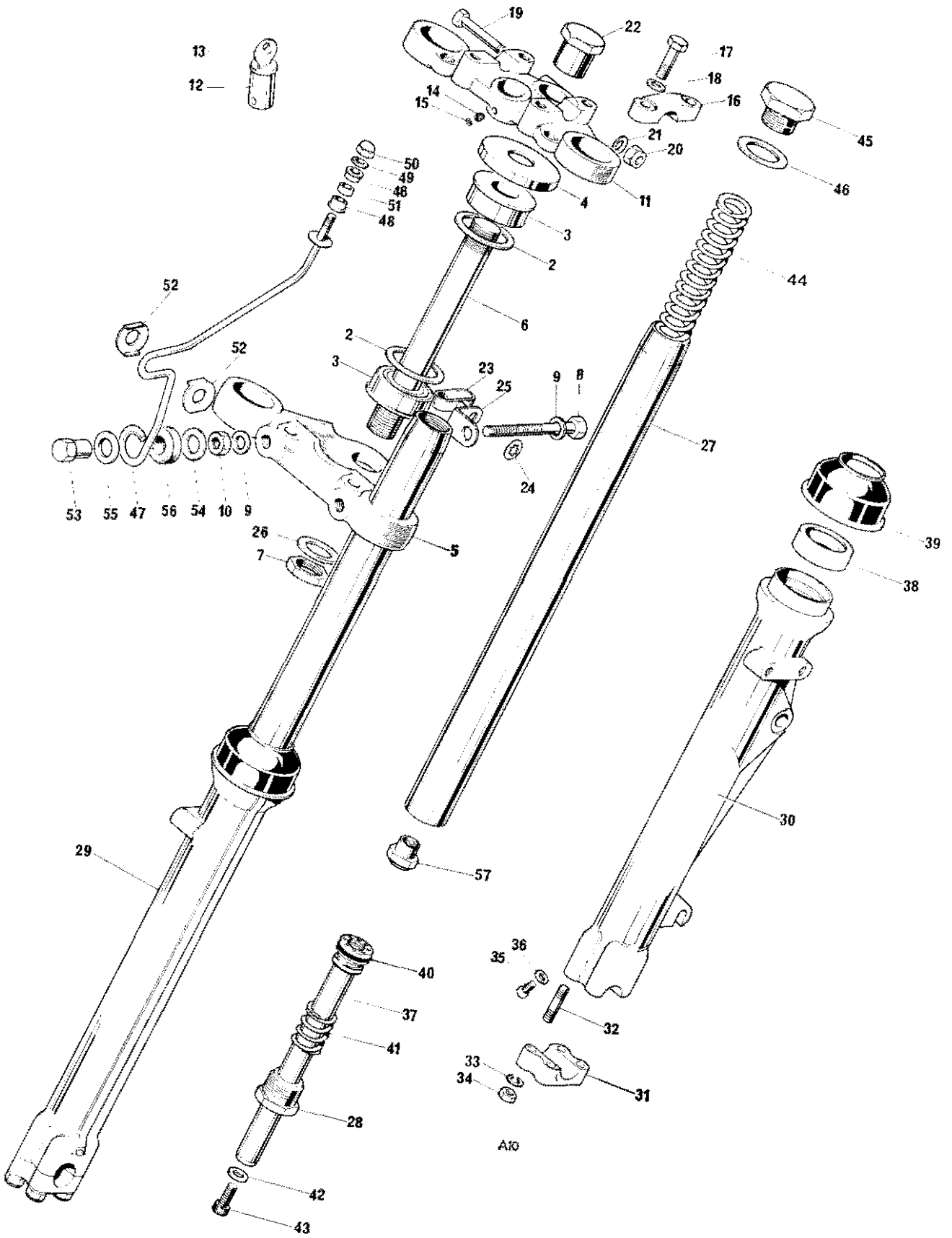


Fig. 10. TELESCOPIC FORKS

TELESCOPIC FORKS *continued*

Ref. No.	Part No.	Description	Quantity
47	H4048	Headlamp bracket—L.H.	1
47	H4050	Headlamp bracket—R.H.	1
48	F12209	Headlamp mounting bush	4
49	D2338	Washer	2
50	S1809	Nut	2
51	F12211	Spacer	2
52	F12216	Clamp washer	4
53	S2062	Sleeve nut	2
54	F9046	Washer	2
55	D2333	Washer	2
56	D2630	Rubber grommet	2
57	H4012	Nut-damper valve	1

1 FRONT WHEEL COMPLETE

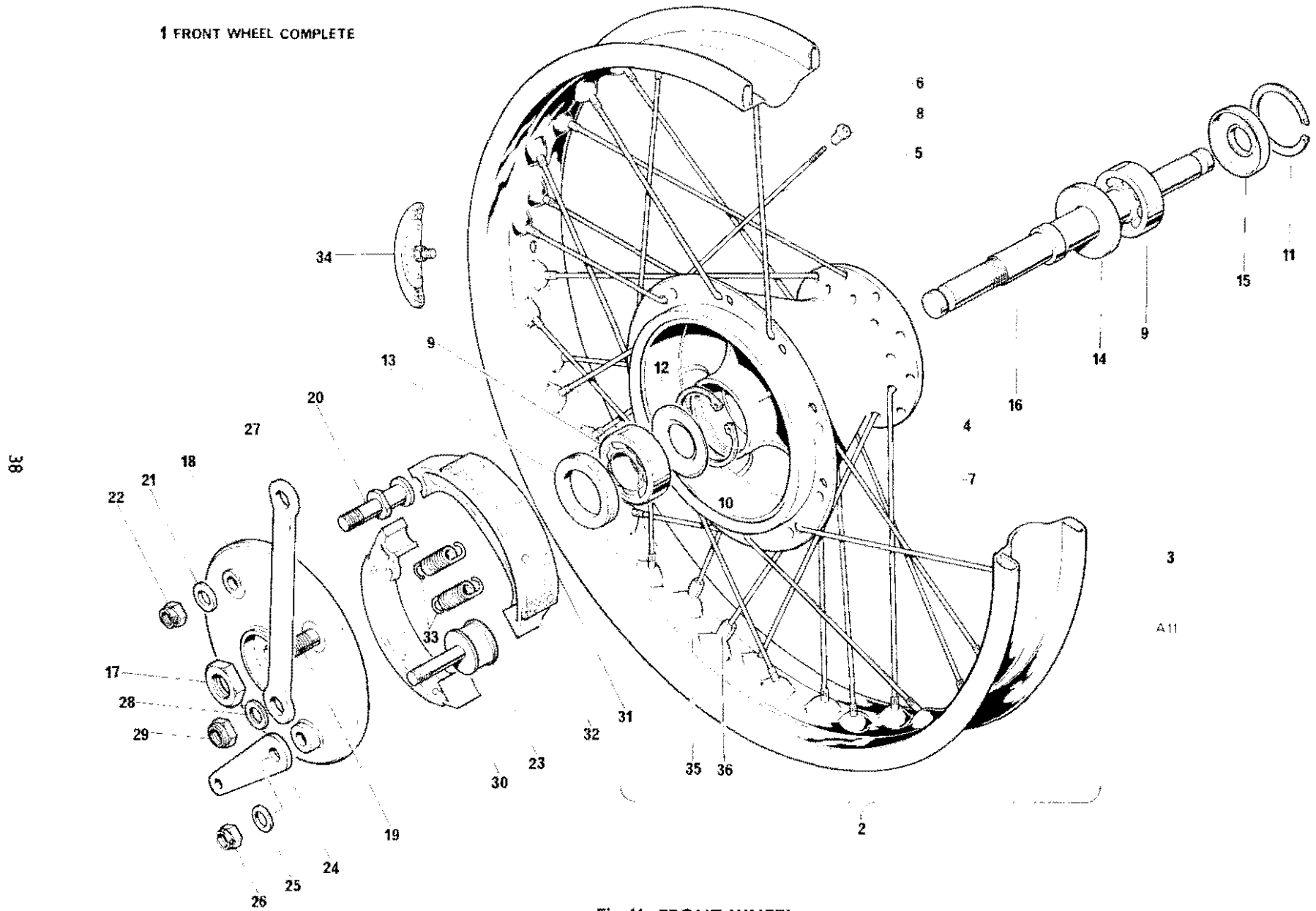


Fig. 11. FRONT WHEEL

FRONT WHEEL

Ref. No.	Part No.	DESCRIPTION	QUANTITY	
1	W3792	FRONT WHEEL COMPLETE	1	(T25T)
1	W3890	FRONT WHEEL COMPLETE	1	(T25SS)
2	W3794	Rim, spokes and hub assembly	1	(T25T)
2	W3891	Rim, spokes and hub assembly	1	(T25SS)
3	W3795	Front wheel rim (WM1 x 20)	1	(T25T)
3	W3892	Front wheel rim (WM2 x 18)	1	(T25SS)
4	W3702	Brake drum and hub	1	
5	W3695	Spoke (R.H. inner)	10	(T25T)
5	W3893	Spoke (R.H. inner)	10	(T25SS)
6	W3696	Spoke (R.H. outer)	10	(T25T)
6	W3894	Spoke (R.H. outer)	10	(T25SS)
7	W3697	Spoke (L.H.)	20	(T25T)
7	W3895	Spoke (L.H.)	20	(T25SS)
8	W2294	Nipple	40	
9	W653	Bearing	2	
10	D2632	Circlip—R.H.	2	
11	T280	Circlip—L.H.	1	
12	W3797	Grease retainer	1	
13	W3759	Locking ring	1	
14	W1481	Grease cap (inner)	1	
15	W1237	Grease cap (outer)	1	
16	W3796	Spindle	1	
17	W2058	Spindle locknut	1	
18	W3704	Brake anchor plate	1	
19	S2063	Stud-anchor plate torque reaction	1	
20	W3798	Fulcrum pin	1	
21	D2331	Washer	1	
22	14-1303	Nut	1	
23	W3799	Brake cam	1	
24	W3694	Brake lever	1	
25	D2331	Washer	1	
26	14-1303	Nut	1	
27	F12660	Front brake anchor strap	1	
28	D2332	Washer	2	
29	14-1304	Nut	2	
30	W3804	BRAKE SHOE C/W LINING	2	
31	Ref. only	Lining	1	} each shoe
32	Ref. only	Rivet	8	
33	W2328	Return spring	2	
34	W3584	Security bolt	1	(T25T)
34	W3969	Balance weight (½ oz.)		As required
35	W3970	Balance weight (1 oz.)		As required

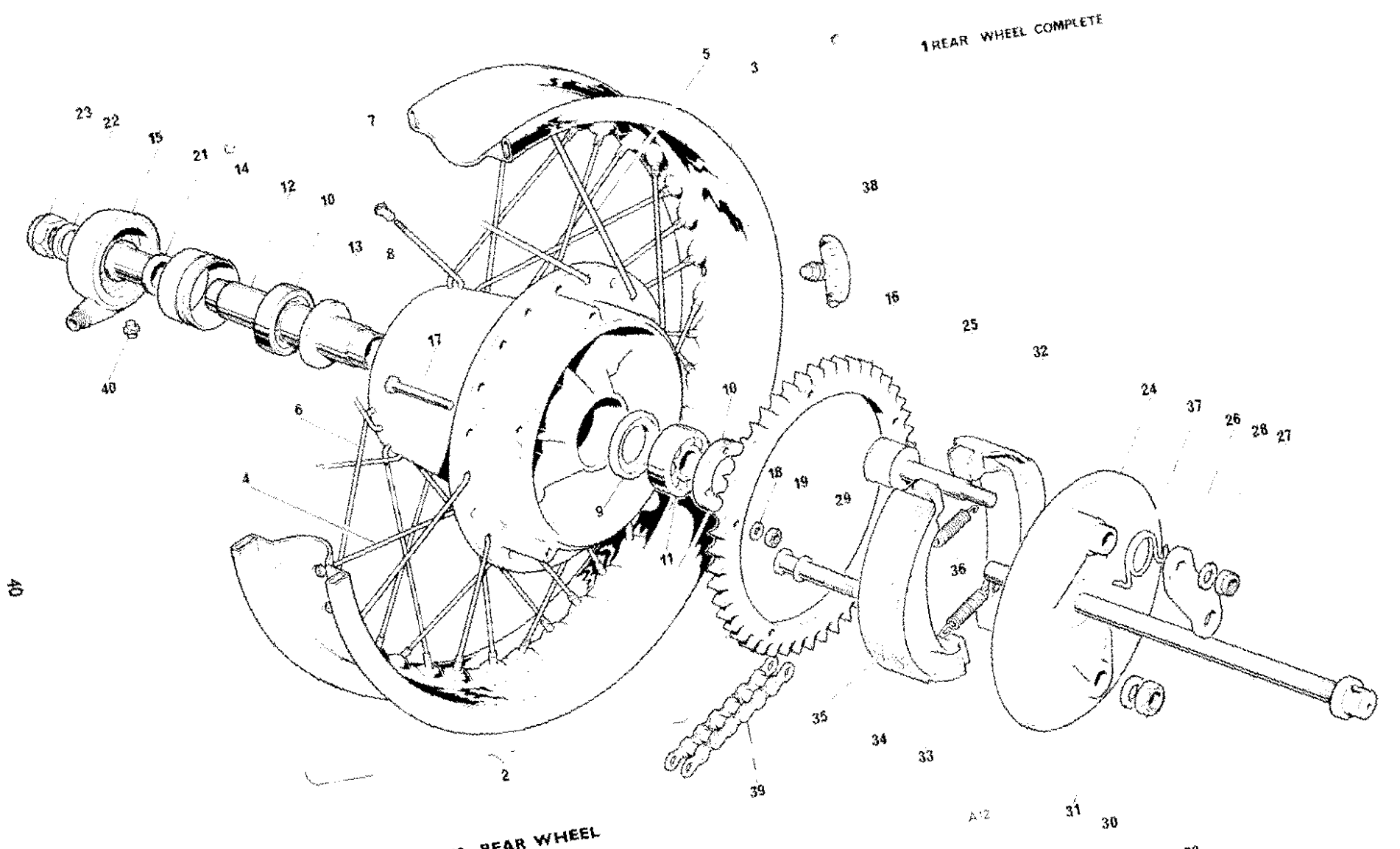


Fig. 12. REAR WHEEL

1 REAR WHEEL COMPLETE

A-12

20

Ref. No.	Part No.	DESCRIPTION	QUANTITY
REAR WHEEL			
1	W3780	REAR WHEEL COMPLETE	1 (T25T)
1	W3781	REAR WHEEL COMPLETE	1 (T25SS)
2	W3782	Rim, spokes and hub assembly	1 (T25T)
2	W3783	Rim, spokes and hub assembly	1 (T25SS)
3	W3784	Rim (WM 3 x 18)	1 (T25T)
3	W3785	Rim (WM 2 x 18)	1 (T25SS)
4	W3724	Spoke (L.H. inner)	10
5	W3725	Spoke (L.H. outer)	10
6	W3726	Spoke (R.H.)	20
7	W2294	Nipple	40
8	W3773	Drum and hub	1
9	W3749	Bearing support ring	1
10	W653	Bearing	2
11	W3752	Locking ring	1
12	W3753	Bearing spacer	1
13	W1654	Grease retainer	1
14	W3751	Speedometer drive ring	1
15	D3214	Speedometer gearbox (BG5330/24)	1 (T25SS)
15	D3215	Speedometer gearbox (BG5330/104)	1 (T25T)
16	W3741	Rear wheel sprocket—52T	1
17	14-0207	Bolt	5
18	D2320	Washer } Sprocket to hub	5
19	14-1301	Nut }	5
20	W3774	Spindle	1
21	W3750	Distance piece	1
22	F12266	Washer—spindle	1
23	14-1307	Nut—spindle	1
24	W3857	Brake anchor plate	1
25	W3872	Brake cam	1
26	W3877	Brake lever	1
27	14-1303	Nut } Brake	1
28	D2331	Washer } lever	1
29	W3962	Rear brake pivot	1
30	14-1305	Nut } Torque arm	1
31	D2333	Washer } to pivot	1
32	W3873	BRAKE SHOE C/W LINING (Leading)	1
33	W3874	BRAKE SHOE C/W LINING (Trailing)	1
34	Ref. only	Lining	1 } each
35	Ref. only	Rivet	8 } shoe
36	W2328	Return spring—brake shoe	2
37	W3880	Return spring—brake lever	1
38	W3468	Security bolt	2 (T25T)
39	D3490	Rear chain (108 links)	1
40	D1841	Grease nipple	1
41	WE170	Fibre washer	1

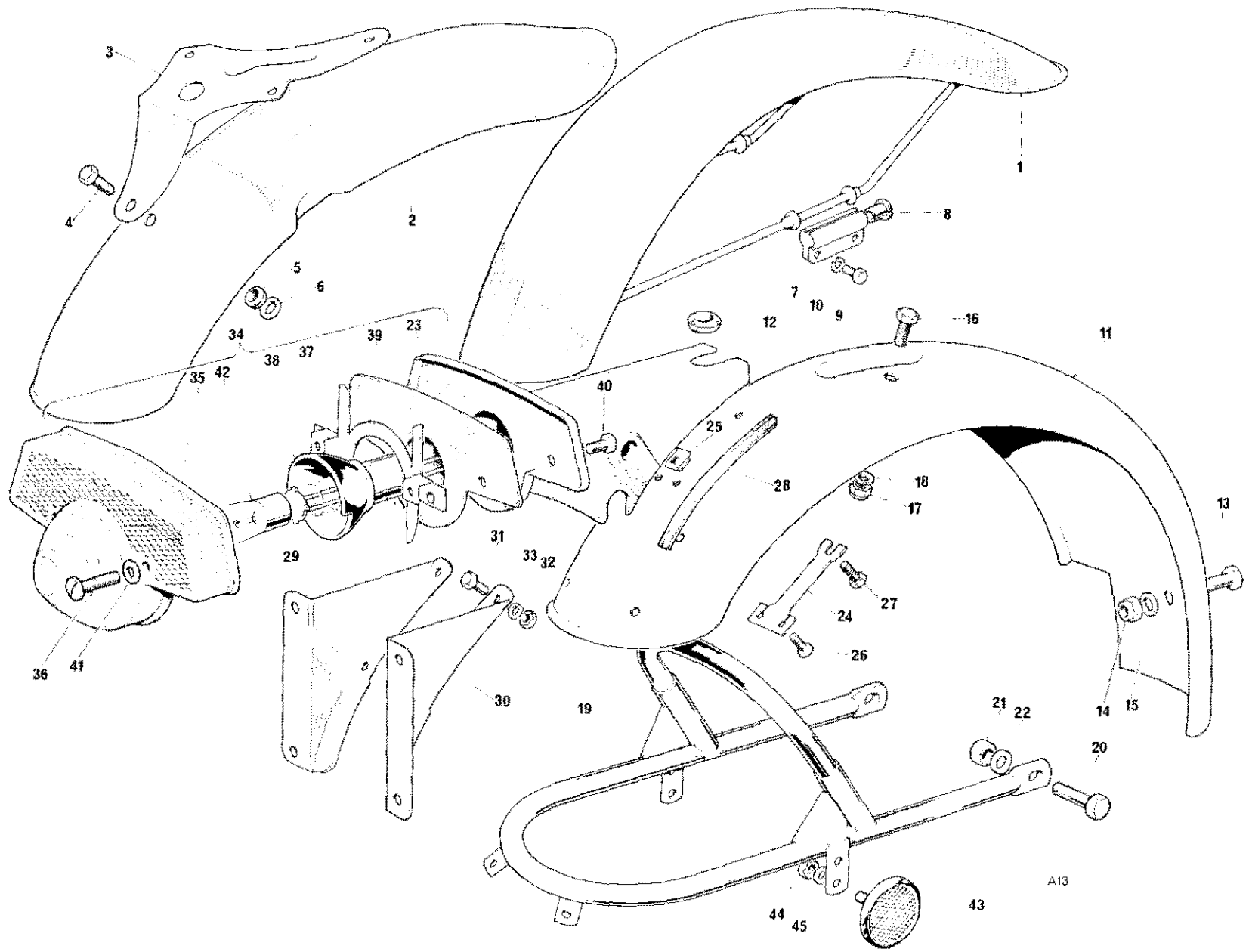


Fig. 13. FENDERS

A13

FENDERS

1	H4052	Front fender	1 (T25SS)
2	H4154	Front fender	1 (T25T)
3	H4075	Bracket	1 (T25T)
4	14-0114	Bolt	2 (T25T)
5	D3242	Grommet	2 (T25T)
6	D2348	Washer	2 (T25T)
7	H4022	Bracket	1 (T25SS)
8	H4021	Rubber bush	4 (T25SS)
9	14-0103	Bolt	4 (T25SS)
10	D2427	Washer	4 (T25SS)
11	F12263	Rear fender	1
12	D3291	Grommet	2
13	14-0101	Bolt	1
14	14-1301	Nut	1
15	S602	Washer	1
16	14-0101	Bolt	4
17	14-1301	Nut	4
18	S602	Washer	4
19	F13174	Support rail	1
20	14-0102	Bolt	2
21	14-1301	Nut	2
22	S602	Washer	2
23	F12693	Tail lamp support bracket	1
24	F13254	Triple "cee" washer	1
25	D3313	Spine nut	1
26	14-0101	Bolt	2
27	14-6101	Bolt	1
28	F13212	Rubber beading strip	2
29	F12727	Rear number plate bracket—L.H.	1
30	F12728	Rear number plate bracket—R.H.	1
31	14-0101	Bolt	2
32	14-1301	Nut	2
33	D2329	Washer	2
34	53973	STOP-TAIL LAMP (99-0597)	1
35	54577109	Lens and window (99-1046)	1
36	144921	Screw (99-1189)	2
37	54525286	Lamp base	Reference only
38	573828	Bulbholder	Reference only
39	54571677	Gasket	Reference only
40	110714	Screw	Reference only
41	188330	Washer	Reference only
42	380	Bulb (99-0542)	1
43	57079	Reflector—red (99-1162)	2
44	F4717	Nut	2
45	D2391	Washer	2

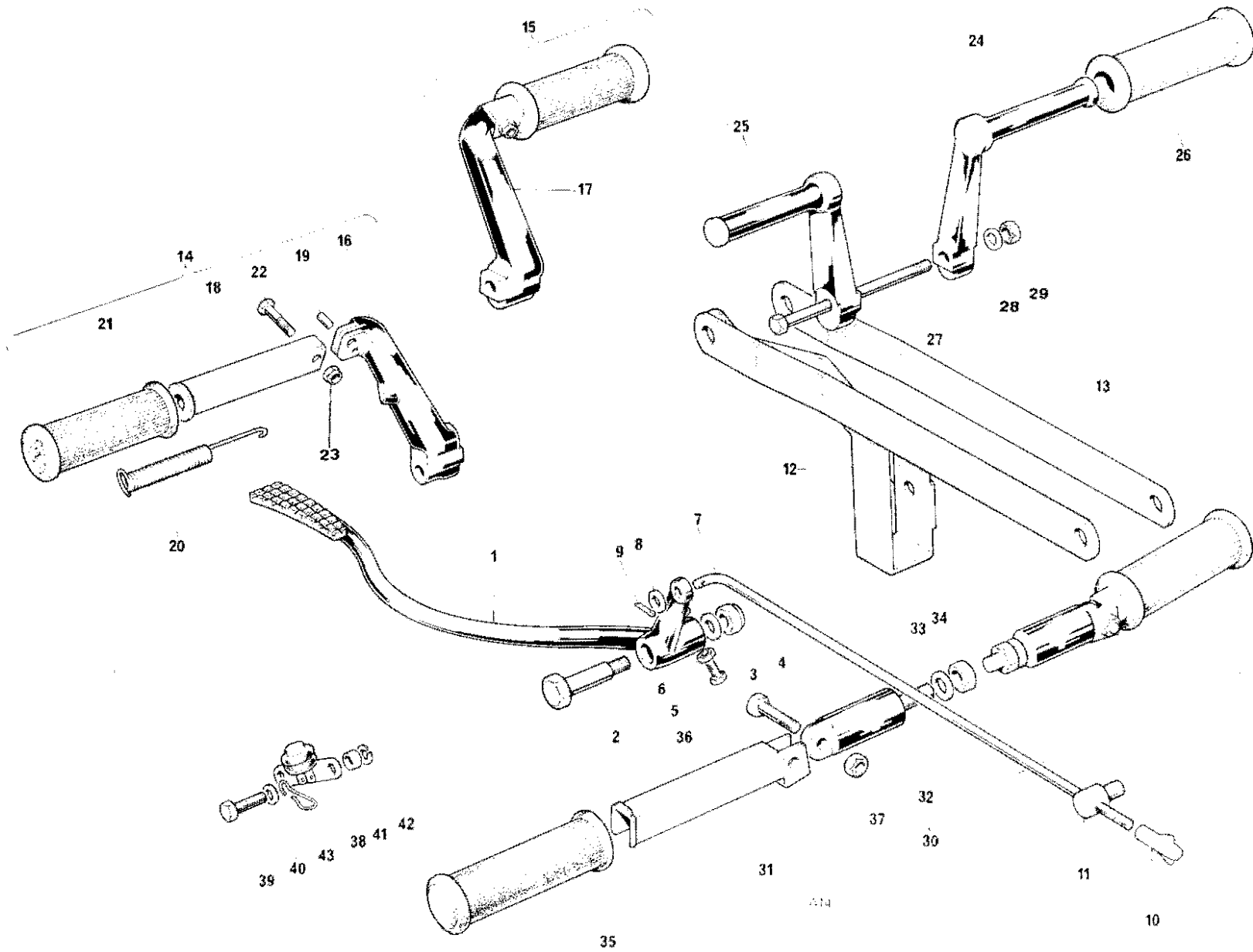


Fig. 14. BRAKE PEDAL AND FOOTRESTS

BRAKE PEDAL AND FOOTRESTS

Ref. No.	Part No.	DESCRIPTION	QUANTITY
1	F12040	Brake pedal	1
2	S2045	Pivot pin	1
3	E8084	Washer	1
4	14-1303	Nut	1
5	14-0103	Adjuster screw	1
6	14-1301	Adjuster nut	1
7	F12616	Rear brake rod	1
8	D2393	Washer	1
9	—	Split pin ($\frac{1}{16}$ in. \times $\frac{3}{8}$ in.) } Brake rod	Ref. only
10	F7387	Adjuster nut } Brake rod	1
11	W1467	Pivot pin } Brake rod	1
12	F12022	Chain guide and torque arm	1 (T25T)
13	F12023	Torque arm	1 (T25SS)
14	F12781	FOLDING FOOTREST ASSEMBLY—L.H.	2
15	F13013	FOLDING FOOTREST ASSEMBLY—R.H.	1
16	F12218	Footrest bracket—L.H.	1
17	F12220	Footrest bracket—R.H.	1
18	F13092	Footrest	2 (T25T)
19	F13094	Anchor pin	2
20	F13095	Return spring	2
21	F9050	Footrest rubber	2
22	14-0216	Bolt } Footrest	2
23	14-1302	Nut } to bracket	2
24	F13017	Footrest—R.H.	1
25	F13015	Footrest—L.H.	1 (T25SS)
26	F13548	Footrest rubber	2
27	S2094	Bolt	1
28	E8084	Washer } Footrest attachment	1
29	14-1303	Nut } Footrest attachment	1
30	F13032	PILLION FOOTREST ASSEMBLY	2
31	F9053	Footrest	1
32	F12617	Hanger	1
33	E1330	Washer	1
34	14-1303	Nut	1
35	F9054	Footrest rubber	1
36	14-0216	Bolt	1
37	14-1302	Washer	1
38	34815	Stop light switch (99-1028)	1
39	E3197	Screw	2
40	GS511	Washer	2
41	F7044	Distance piece	2
42	D2426	Spring washer	2
43	E9122	Cable clip (stop switch lead)	1

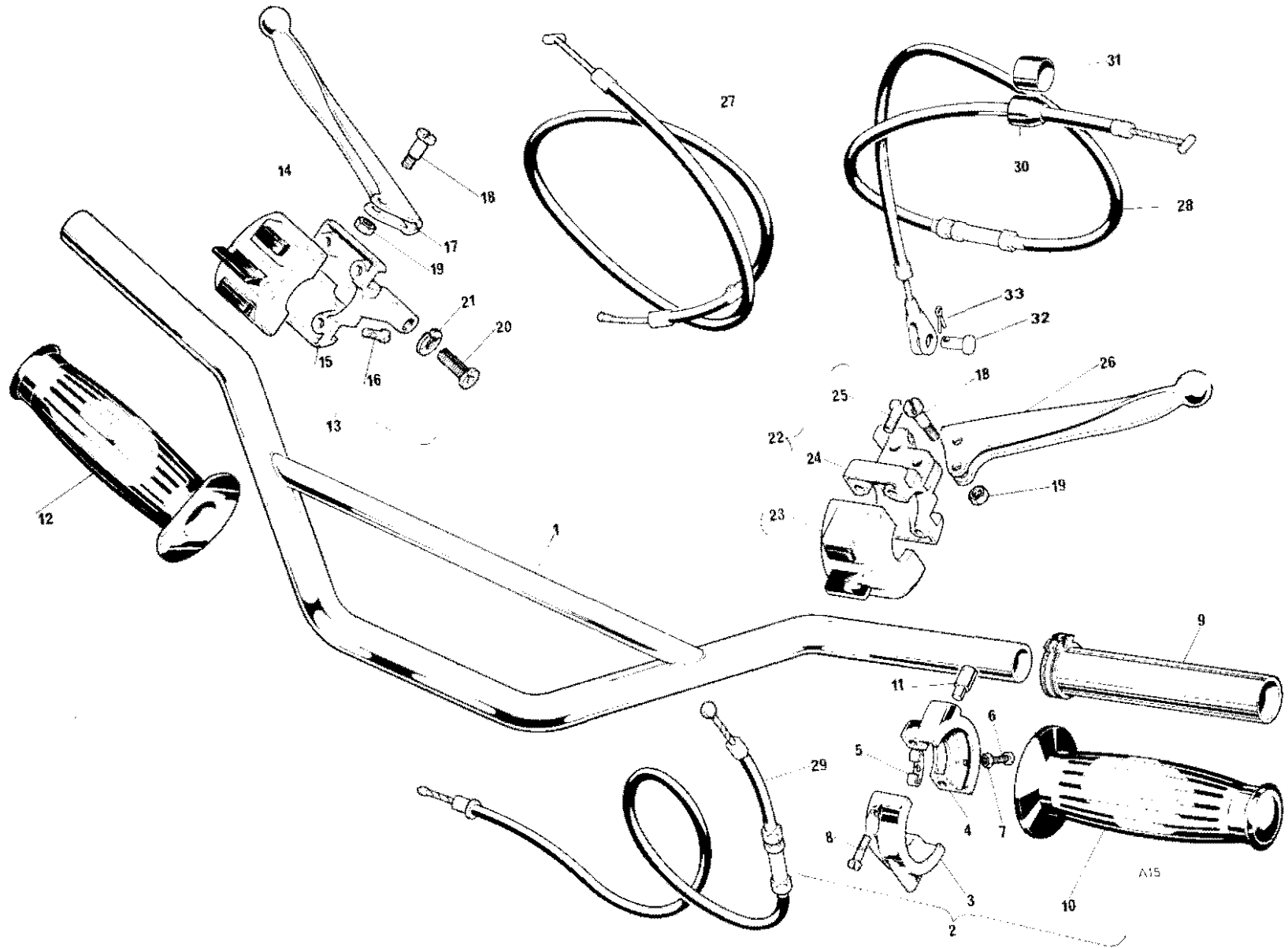


Fig. 15. HANDLEBARS, CONTROL LEVERS AND CABLES

HANDLEBARS, CONTROL LEVERS AND CABLES

1	H4173	Handlebar	1	(T25SS)
1	H4062	Handlebar	1	(T25T)
2	16/364	TWISTGRIP (99-0248)	1	
3	16/328	Body, top half (99-0245)	1	
4	16/329	BODY BOTTOM HALF (99-0246)	1	
5	16/008	Spring	Ref. only	
6	16/009	Screw	Ref. only	
7	16/010	Locknut	Ref. only	
8	11/014	Screw (99-0226)	2	
9	16/091	Rotor (99-0244)	1	
10	D958	Handlebar grip	1	
11	16/011	Cable stop (99-0241)	1	
12	D959	Handlebar grip	1	
13	39595	HANDLEBAR SWITCH—L.H. (COMPLETE)	Ref. only	
14	54033666	Switch half	Ref. only	
15	54340883	Lever half (99-1215)	1	
16	54115246	Screw (99-1188)	4	
17	D2627	Clutch lever (forged)	1	(T25T)
17	D3144	Clutch lever (Pressed)	1	(T25SS)
18	S2048	Pivot pin	2	
19	14-1301	Nut	2	
20	18/1708	Cable adjuster (99-0031)	2	
21	18/1709	Adjuster nut (99-1059)	2	
22	39596	HANDLEBAR SWITCH—R.H. (COMPLETE)	Ref. only	
23	54033667	Switch half	Ref. only	
24	54340882	Lever half (99-1187)	1	
25	54115246	Screw (99-1188)	4	
26	D2628	Brake lever (forged)	1	(T25T)
26	D3143	Brake lever (pressed)	1	(T25SS)
27	D2083	Clutch cable	1	
28	D3390	Brake cable	1	
29	D962	Throttle cable	1	
30	D2085	Front stop switch	Ref. only	
31	D2086	Cover, stop switch	1	
32	WF32	Clevis pin	1	
33	—	Split pin ($\frac{1}{16}$ in. x $\frac{3}{8}$ in.)	Ref. only	

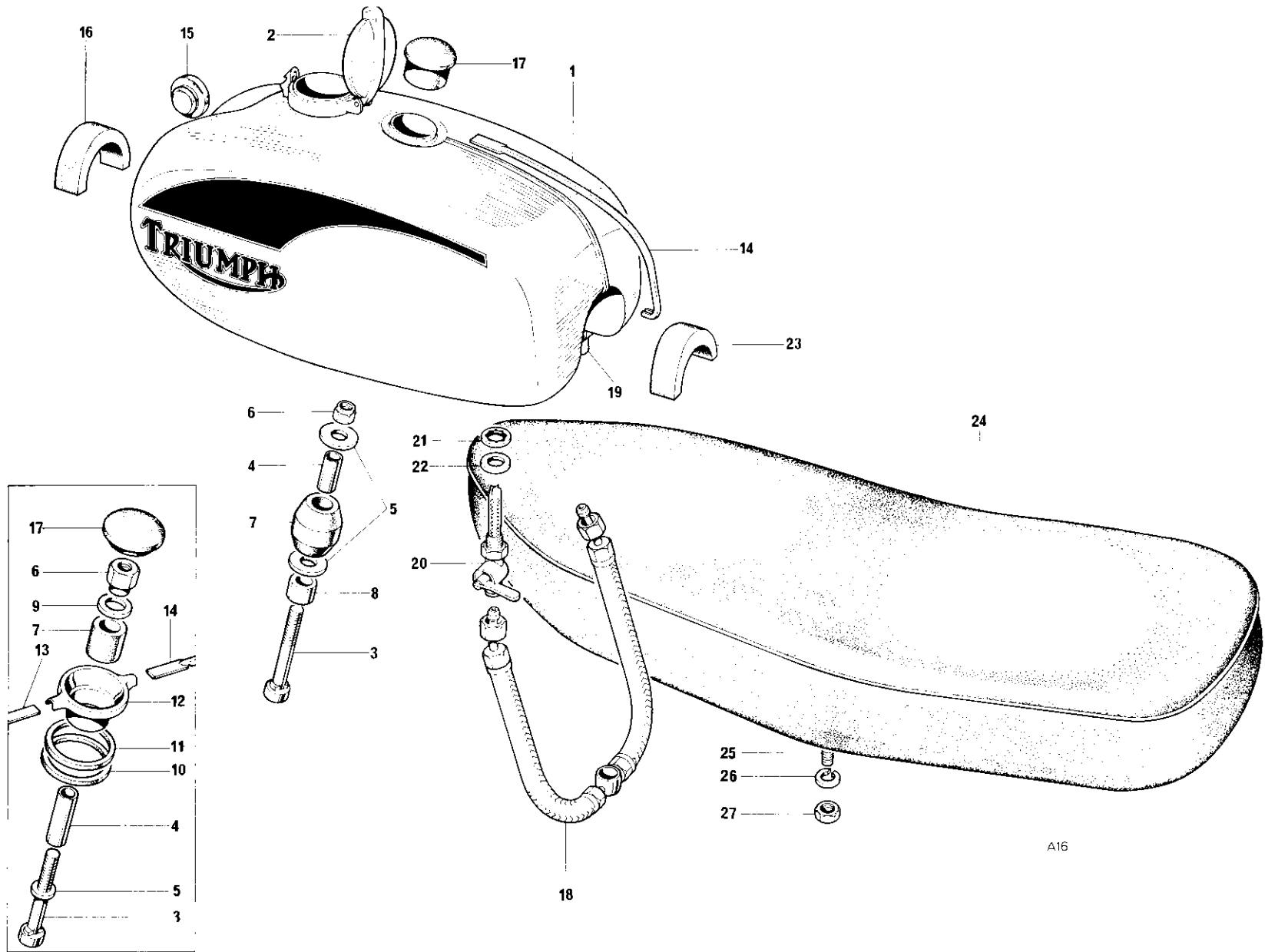
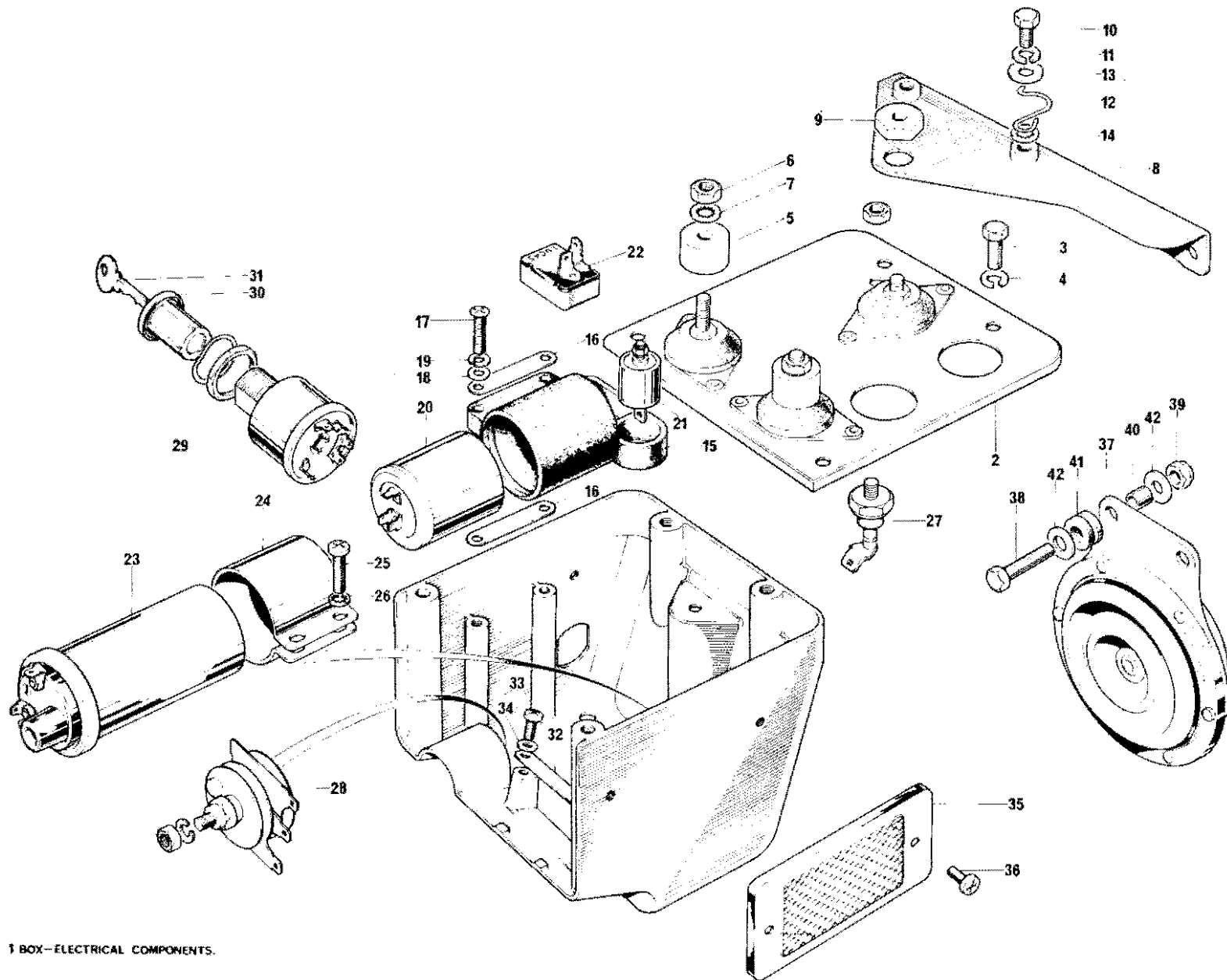


Fig. 16. GAS TANKS AND TWINSEAT

A16

GAS TANKS AND TWINSEAT

Ref. No.	Part No.	DESCRIPTION	QUANTITY	
1	F12270	Gas tank (aluminium)	1	(T25T)
1	F13051	Gas tank (steel)	1	(T25SS)
2	F11547	Filler cap	1	(T25T)
2	F13220	Filler cap	1	(T25SS)
Not illus.	D3157	Transfer	2	
3	F12776	Centre fixing bolt	1	
4	F9063	Distance tube	1	(T25T)
4	F13562	Distance tube	1	(T25SS)
5	F9065	Washer	2	(T25T)
5	F9196	Washer	2	(T25SS)
6	14-1302	Nut	1	(T25T)
6	S1999	Nut	1	(T25SS)
7	F9064	Mounting rubber	1	(T25T)
7	F10260	Mounting rubber	1	(T25SS)
8	F3017	Distance collar	1	(T25T)
9	F13320	Washer	1	} (T25SS)
10	F13321	Washer	1	
11	F13319	Mounting ring	1	
12	F9782	Beading holder	1	
13	F13055	Trim strip—front	1	
14	F13056	Trim strip—rear	1	
15	F9222	Anti roll rubber	2	
16	F12980	Mounting rubber-top tube-front	1	
17	F13069	Grommet	1	(T25T)
17	F13068	Grommet	1	(T25SS)
18	F13040	Gas pipe	1	
19	F12800	Gas tap	1	
20	F12801	Gas tap—reserve	1	
21	E7351	Seal	2	
22	F10002	Washer	2	
23	F13563	Mounting rubber-top tube-rear	1	
24	F13418	Twinseat	1	
25	S2109	Stud	2	
26	D2428	Spring washer	2	
27	14-0302	Nut	2	



1 BOX—ELECTRICAL COMPONENTS.

Fig. 17. ELECTRICAL BOX

ELECTRICAL BOX

Ref. No.	Part No.	Description	Quantity
1	D2605	Box—electrical components	1
2	F13625	Cover	1
3	14-6101	Bolt	4
4	D2427	Spring washer	4
5	F13629	Spacer	2
6	14-1301	Nut	2
7	D2329	Washer	2
8	F13622	Horn mounting bracket	1
9	F13624	Recess nut	1
10	14-0103	Bolt	2
11	D2427	Spring washer	2
12	F13543	Clip	2
13	D2329	Washer	4
14	E1612	Serrated washer	1
15	54422860	Rubber moulding (99-1199)	1
16	F12669	Capacitor support plate	2
17	S2067	Screw	2
18	E2351	Washer	2
19	E8165	Spring washer	2
20	54170009	Capacitor—2MC (99-0737)	1
21	54420128	Condenser (99-1043)	1
22	35048	Flasher unit (99-1201)	1
23	45223	H.T. coil (D2206)	1
24	54419974	Coil bracket (99-1202)	1
25	S2067	Screw	2
26	E8165	Shakeproof washer	2
27	49345	Zener diode (99-0589)	1
28	49072	Rectifier (99-0590)	1
29	39565	Switch, ignition and lighting (99-1200)	1
30	F6981	Ignition lock c/w key	1
31	D622	Key (state serial number)	1
32	F12670	Terminal clamp strip	1
33	S1930	Screw	2
34	E2351	Washer	2
Not illus.	54959680	Sub-harness—electrical box	1
35	57160	Reflector 0 amber (99-1119)	2
36	S2073	Screw	4
37	70216	Horn—6H high note (99-1216)	1
38	14-0102	Bolt	2
39	14-1301	Nut	2
40	F13604	Spacer	2
41	D3161	Grommet	2
42	D2347	Washer	4

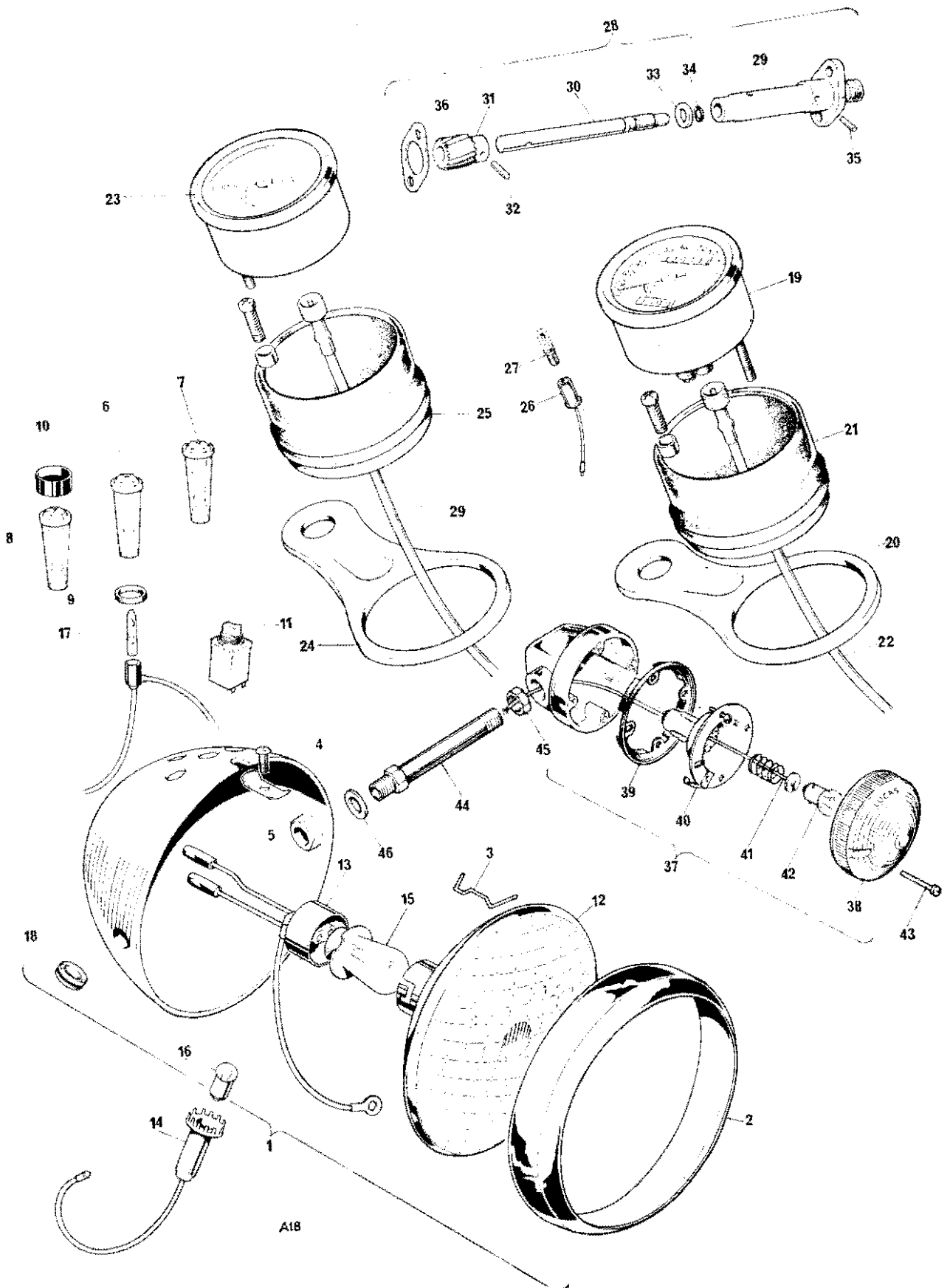


Fig. 18. HEADLAMP, SPEEDOMETER, TACHOMETER

HEADLAMP, SPEEDOMETER, TACHOMETER

Ref. No.	Part No.	DESCRIPTION	QUANTITY
1	60262	HEADLAMP (MCH 66) (99-1205)	1
2	553343	Rim (99-1206)	1
3	504665	Fixing wire (99-0683)	6
4	144921	Screw	Ref. only
5	534296	Plate, rim fixing	Ref. only
6	54363453	Warning light, amber (99-1207)	1
7	54363454	Warning light, red (99-1208)	1
8	54363455	Warning light, green (99-1209)	1
9	54140331	Sealing washer (99-1210)	3
10	54525212	Warning light shield	Ref. only
11	31276	Switch, lighting (99-1211)	1
12	54525272	Light unit (99-1212)	1
13	554602	Bulbholder—main	Ref. only
14	54573590	Bulbholder—pilot (99-1213)	1
15	370	Main bulb (99-1214)	1
16	989	Pilot bulb (99-0548)	1
17	281	Warning light bulb (99-0537)	3
18	862217	Grommet	Ref. only
19	D2611	Speedometer (SSM2001/07)	1
20	H4023	Speedometer bracket	1
21	D2596	Rubber cup—speedometer	1
22	D3249	Speedometer cable	1
23	D2610	Tachometer (SSM2001/02)	1
24	H4023	Tachometer bracket	1
25	D2596	Rubber cup—tachometer	1
26	D3174	Speedometer and tachometer light assembly	Ref. only
27	987	Bulb	Ref. only
28	E9428	TACHOMETER GEARBOX	1
29	E9517	Drive body	1
30	E9381	Drive shaft	1
31	E9382	Drive gear	1
32	E9429	Retaining pin	1
33	E9383	Thrust washer	1
34	E9430	“O” ring	1
35	E9431	Locating pin	1
36	E1422	Joint washer	1
37	56147	FLASHER LAMP (99-1190)	4
38	54581638	Lens (99-1191)	1
39	54580300	Gasket	Ref. only
40	554548	Bulbholder	Ref. only
41	573832	Interior assembly	Ref. only
42	382	Bulb (99-1192)	1
43	54123401	Screw (99-1193)	2
44	54582414	Stanchion, flasher lamp (99-1194)	4
45	1981721	Locknut (99-1195)	8
46	143086	Washer (99-1196)	2
Not illus.	54959480	Main harness (99-1197)	1

Optional

Optional

Ref. No.	Part No.	DESCRIPTION	QUANTITY
----------	----------	-------------	----------

TOOL KIT

	D2114	TOOL KIT COMPLETE	1
1	D291	Tool roll	1
2	D2184	"C" spanner	1
3	D971	Box spanner	1
4	D972	Ring spanner	1
5	D974	Tyre valve key	1
6	D767	Screwdriver	1
7	D3528	Spanner	1
8	D1911	Tommy bar	1
9	D3228	Cable clip (black)	1
10	D3340	Cable clip (black)	2
11	D3441	Cable clip (black)	1
12	D3342	Cable clip (black)	2
13	D3343	Cable clip (black)	3

LATER MODELS USE THE FOLLOWING RUBBER CLIPS

D978	Cable clip (black)	6
D343-7	Cable clip (black)	6

STANDARD HARDWARE SPECIFICATION BOLTS

Part No.	Material	Thd. dia.	Length under head	Min. length of thread	Hexagon A.F.
S1822	Steel	$\frac{5}{16}$ " UNF	$\frac{1}{4}$ "	$\frac{27}{64}$ "	0.500"
S1910	"	$\frac{3}{8}$ " UNF	$\frac{13}{16}$ "	$\frac{13}{16}$ "	0.565"
S1919	"	$\frac{5}{16}$ " UNC	$1\frac{5}{8}$ "	$\frac{7}{8}$ "	0.500"
S2010	"	$\frac{1}{4}$ " UNF	$\frac{13}{16}$ "	$\frac{3}{8}$ "	0.375"
14-0101	"	$\frac{1}{4}$ " UNF	$\frac{1}{2}$ "		0.438"
14-0102	"	$\frac{1}{4}$ " UNF	$\frac{5}{8}$ "		0.438"
14-0103	"	$\frac{1}{4}$ " UNF	$\frac{3}{4}$ "		0.438"
14-0113	"	$\frac{5}{16}$ " UNF	$\frac{5}{8}$ "		0.500"
14-0114	"	$\frac{5}{16}$ " UNF	$\frac{3}{4}$ "		0.500"
14-0115	"	$\frac{5}{16}$ " UNF	$\frac{7}{8}$ "		0.500"
14-0128	"	$\frac{3}{8}$ " UNF	1"		0.563"
14-0208	"	$\frac{1}{4}$ " UNF	$2\frac{1}{4}$ "	$\frac{3}{4}$ "	0.438"
14-0216	"	$\frac{5}{16}$ " UNF	$1\frac{1}{8}$ "	$\frac{7}{8}$ "	0.500"
14-0217	"	$\frac{5}{16}$ " UNF	$1\frac{1}{4}$ "	$\frac{7}{8}$ "	0.500"
14-0219	"	$\frac{5}{16}$ " UNF	$1\frac{1}{2}$ "	$\frac{7}{8}$ "	0.500"
14-0220	"	$\frac{5}{16}$ " UNF	$1\frac{3}{4}$ "	$\frac{7}{8}$ "	0.500"
14-0225	"	$\frac{5}{16}$ " UNF	3"	$\frac{7}{8}$ "	0.500"
14-0228	"	$\frac{5}{16}$ " UNF	4"	$\frac{7}{8}$ "	0.500"
14-0234	"	$\frac{3}{8}$ " UNF	$1\frac{3}{4}$ "	1"	0.563"
14-0236	"	$\frac{3}{8}$ " UNF	$2\frac{1}{2}$ "	1"	0.563"
14-0239	"	$\frac{3}{8}$ " UNF	3"	1"	0.563"
14-0240	"	$\frac{3}{8}$ " UNF	$3\frac{1}{2}$ "	1"	0.563"
14-0242	"	$\frac{3}{8}$ " UNF	4"	1"	0.563"
14-0251	"	$\frac{7}{16}$ " UNF	$2\frac{3}{4}$ "	$1\frac{1}{4}$ "	0.625"
14-6102	"	$\frac{1}{4}$ " UNC	$\frac{5}{8}$ "		0.438"
14-6115	"	$\frac{5}{16}$ " UNC	$\frac{7}{8}$ "		0.500"

NUTS

Part No.	Material	Thd. dia.	Hexagon A.F.	Thickness	Remarks
S778	Steel	No. 10 UNF	0.375"	0.225"	Cleveloc
S1852	"	$\frac{5}{16}$ " UNF	0.437"	0.330"	Philidas
S1906	"	$\frac{1}{4}$ " UNF	0.438"	0.188"	Plain
S1908	"	$\frac{5}{16}$ " UNF	0.438"	0.313"	Plain
S1914	"	$\frac{3}{4}$ " UNEF	1.125"	0.250"	Plain
S2012	"	$\frac{7}{8}$ " UNEF	1.313"	0.438"	Plain
S2013	"	$\frac{3}{4}$ " UNEF	1.313"	0.313"	Plain
S2014	"	$\frac{3}{4}$ " UNEF	1.313"	0.438"	Plain
14-0301	"	$\frac{1}{4}$ " UNF	0.438"	0.224"	Plain
14-0302	"	$\frac{5}{16}$ " UNF	0.500"	0.271"	Plain
14-0401	"	$\frac{1}{4}$ " UNF	0.438"	0.161"	Lock
14-0402	"	$\frac{5}{16}$ " UNF	0.500"	0.192"	Lock
14-0403	"	$\frac{3}{8}$ " UNF	0.563"	0.224"	Lock
14-0701	"	$\frac{1}{4}$ " UNF	0.438"	0.203"	Philidas
14-0702	"	$\frac{5}{16}$ " UNF	0.500"	0.246"	Philidas
14-0703	"	$\frac{3}{8}$ " UNF	0.563"	0.296"	Philidas
14-1201	"	$\frac{1}{4}$ " UNF	0.438"	0.285"	Stiffnut
14-1202	"	$\frac{5}{16}$ " UNF	0.500"	0.335"	Stiffnut
14-1301	"	$\frac{1}{4}$ " UNF	0.438"	0.245"	Stiffnut
14-1302	"	$\frac{5}{16}$ " UNF	0.500"	0.290"	Stiffnut
14-1303	"	$\frac{3}{8}$ " UNF	0.563"	0.320"	Stiffnut
14-1304	"	$\frac{7}{16}$ " UNF	0.688"	0.375"	Stiffnut
14-1305	"	$\frac{1}{2}$ " UNF	0.750"	0.435"	Stiffnut
14-1902	"	$\frac{5}{16}$ " UNF	0.500"	0.361"	Nyloc
14-1903	"	$\frac{3}{8}$ " UNF	0.563"	0.375"	Nyloc

SCREWS

<i>Part No.</i>	<i>Type of head</i>	<i>Material</i>	<i>Thd. dia.</i>	<i>Length under head</i>	<i>Type of drive</i>
S1916	Cheese head	Steel	$\frac{1}{4}$ " UNC	$1\frac{1}{8}$ "	Cross recess
S1917	Cheese head	"	$\frac{1}{4}$ " UNC	$2\frac{5}{8}$ "	Cross recess
S1918	Cheese head	"	$\frac{1}{4}$ " UNC	$2\frac{3}{8}$ "	Cross recess
S1920	Hex. head	"	$\frac{1}{4}$ " UNC	$\frac{21}{64}$ "	
S1929	Countersunk (82°)	"	$\frac{1}{4}$ " UNC	$\frac{17}{32}$ "	Slot
S2079	Cheese head	"	No. 10 UNF	$\frac{1}{2}$ "	Pozidrive
14-0604	Cheese head	"	$\frac{1}{4}$ " UNF	$\frac{1}{2}$ "	Cross recess
14-6505	Countersunk (82°)	"	$\frac{1}{4}$ " UNC	$\frac{7}{8}$ "	Cross recess
14-6607	Cheese head	"	$\frac{1}{4}$ " UNC	$\frac{7}{8}$ "	Cross recess
14-6608	Cheese head	"	$\frac{1}{4}$ " UNC	1"	Cross recess
14-6609	Cheese head	"	$\frac{1}{4}$ " UNC	$1\frac{1}{4}$ "	Cross recess
14-7019	Socket head	"	$\frac{5}{16}$ " UNC	$\frac{7}{8}$ "	Hex. socket
14-7024	Socket head	"	$\frac{5}{16}$ " UNC	2"	Hex. socket

WASHERS—PLAIN

<i>Part No.</i>	<i>Material</i>	<i>i/dia.</i>	<i>o/dia.</i>	<i>Thickness</i>
S25-1	Steel	0.273"	0.563"	0.048"
S25-2	Steel	0.398"	0.750"	0.063"
S25-3	Steel	0.336"	0.625"	0.063"
S25-6	Steel	0.531"	1.031"	0.092"
S25-13	Steel	0.266"	0.469"	0.064"

WASHERS—SPRING

<i>Part No.</i>	<i>Material</i>	<i>i/dia.</i>	<i>o/dia.</i>	<i>o/a height</i>	<i>Thickness</i>
S26-1	Spring Steel	$\frac{3}{8}$ " clearance	$\frac{19}{32}$ "	$\frac{7}{32}$ "	0.104"
S26-2	" "	$\frac{1}{4}$ " clearance	$\frac{13}{32}$ "	$\frac{3}{16}$ "	0.064"
S26-16	" "	$\frac{17}{32}$ "	$\frac{7}{8}$ "	$\frac{7}{32}$ "	0.040**
S648	" "	$\frac{5}{16}$ " clearance	$\frac{1}{2}$ "	$\frac{5}{32}$ "	0.080"

** Double coil.

TRIUMPH

SUPPLEMENT

**REPLACEMENT
PARTS
CATALOGUE**

FOR

**1971 MODELS
250_{c.c.}**

BLAZER SS T25 SS

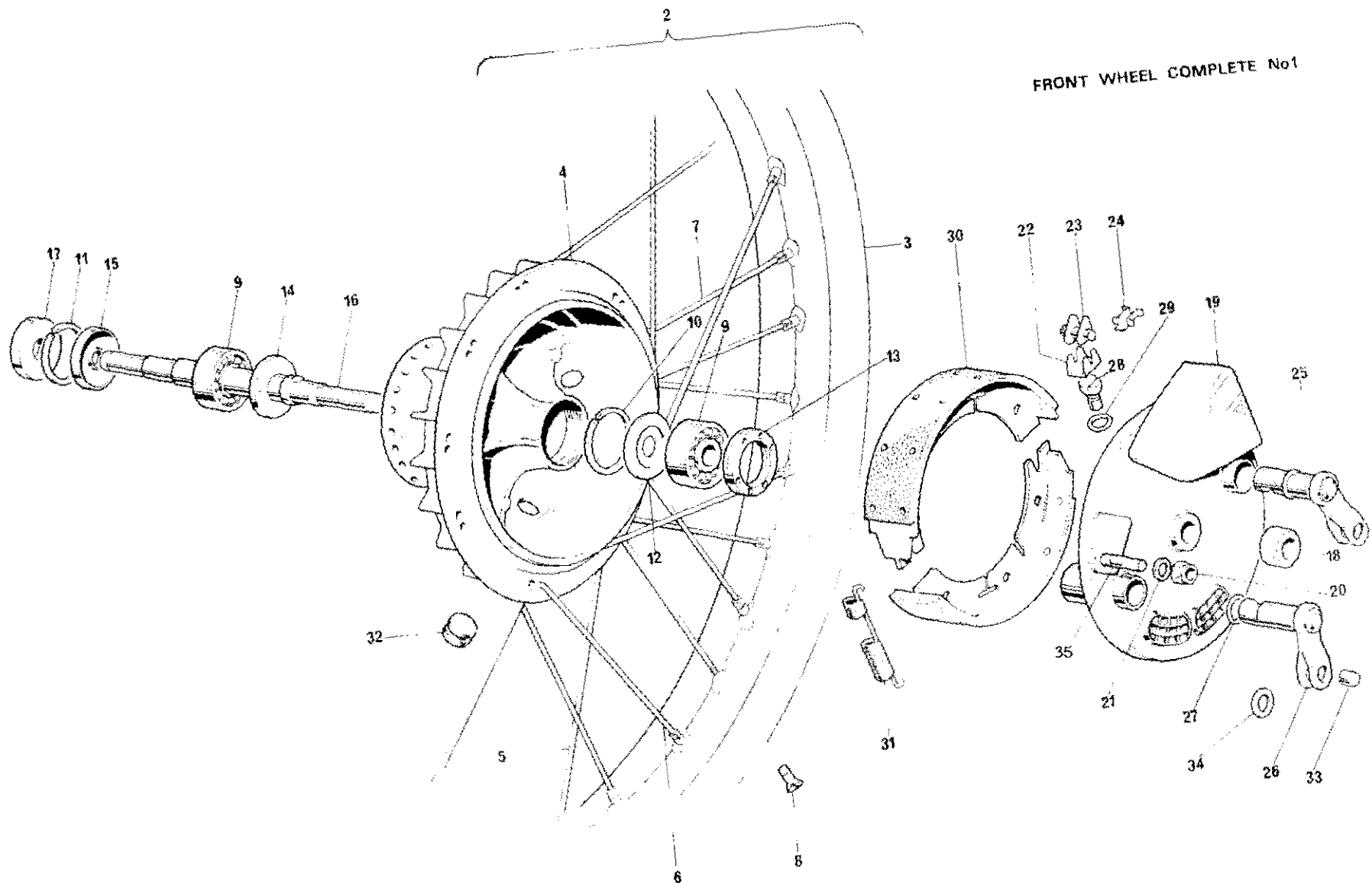
U.K. & GENERAL EXPORT



BLAZER SS (T15SS)
TECHNICAL DATA

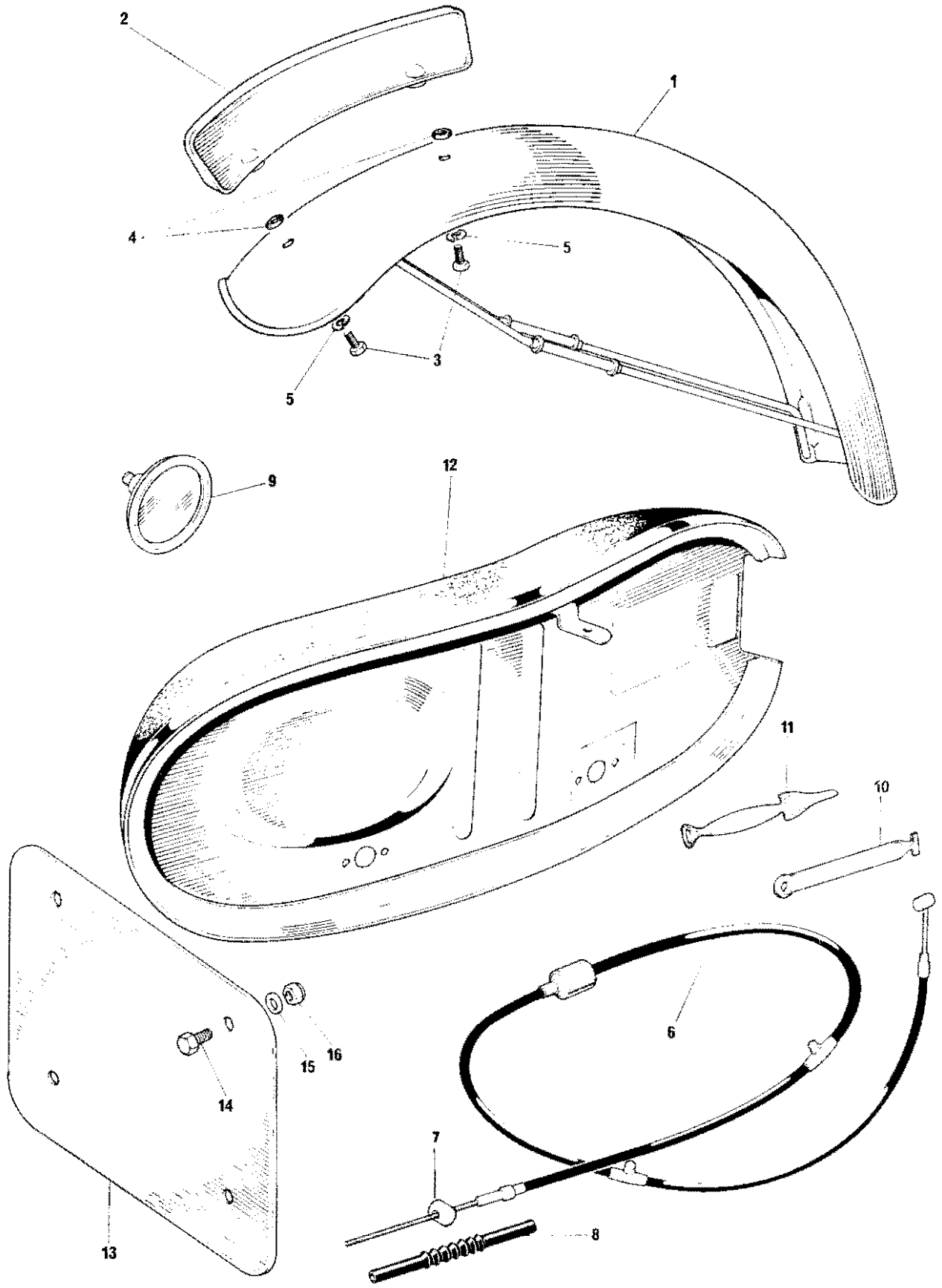
Bore and stroke	67 x 70 mm.	
Capacity	15 cu.in. (247 c.c.)	
Compression ratio	9.5 : 1	
Sparking plug	Champion N3	
Carburetor	Amal Concentric 928/20	
	Choke size	28 mm.
	Main jet	200
	Needle jet	106
	Needle position	1
	Throttle valve	No. 3½
Gearbox sprocket	17 teeth	
Final Drive Sprocket	52 teeth	
Chains	Front	¾ in. x 7/32 in. Duplex x 70 links
	Rear	
Capacities	Fuel tank	2 gallons (9 litres)
	Oil reservoir	4 pints (2.3 litres)
	Gearbox	½ pint (285 c.c.)
	Primary chaincase	¼ pint (150 c.c.)
	Front forks (each leg)	½ pint (190 c.c.)
Brakes	Front	8 in. (203 mm.)
	Rear	7 in. (178 mm.)
Tyre size	Front	3.25 x 18
	Rear	3.50 x 18

FRONT WHEEL COMPLETE No1



**THIS SUPPLEMENT SHOULD BE READ IN CONJUNCTION WITH
1971 250 c.c. REPLACEMENT PARTS CATALOGUE**

Ref. No.	Part No.	DESCRIPTION	Quantity
1	W3938	Front Wheel Complete	1
2	W3840	Rim Spokes and Hub Assy.	1
3	W3785	Front Wheel Rim (WM2 x18)	1
4	W3658	Brake Drum and Hub	1
5	W3816	Spoke (R.H. Inner)	10
6	W3817	Spoke (R.H. Outer)	10
7	W3726	Spoke (L.H.)	20
8	W2294	Nipple	40
9	W653	Bearing	2
10	D2632	Circlip R.H.	2
11	T280	Circlip L.H.	1
12	W3797	Grease Retainer	1
13	W3759	Locking Ring	1
14	W1481	Grease Cap (Inner)	1
15	W1237	Grease Cap (Outer)	1
16	W3796	Spindle	1
17	W3932	Distance Piece	1
18	W3758	Spindle Locknut	1
19	W3935	Brake Anchor Plate	1
20	14-1303	Nut	1
21	D2340	Washer	1
		} Anchor plate to fork leg	
22	W3715	Cage	2
23	W3716	Micram Adjuster	2
24	W3717	Abutment Pressing	2
25	W3913	Brake Lever—Front	1
26	W3914	Brake Lever—Rear	1
27	D2639	"O" Ring—cam	2
28	W3762	Tappet	2
29	W3761	"O" Ring—tappet	2
30	W3713	Brake Shoe complete	2
31	W3714	Return Spring	2
32	D2594	Grommet—Brake Drum	1
33	W3868	Bush	1
34	E12500	Washer	2
		} Cable to levers	
35	14-1635	Stud—anchor plate torque reaction	1



**THIS SUPPLEMENT SHOULD BE READ IN CONJUNCTION WITH
1971 250 c.c. REPLACEMENT PARTS CATALOGUE**

Ref. No.	Part No.	DESCRIPTION	Quantity
1	H4127	Front Mudguard	1
2	F12834	Front Number Plate	1
3	T1076	Screw	2
4	D3398	Rubber Washer	2
5	GS511	Washer	2
Not illus.	D3396	Transfer—front mudguard	1
6	D3075	Front Brake Cable	1
7	D3147	Cable Stop	1
8	D3148	Cable Protector	1
9	D2599	Licence Holder	1
10	D978	Cable Clip	6
11	D343/7	Cable Clip	6
Not illus.	D3171	H.T. Lead (resistive)	1
12	F13418	Twinseat	1
13	F12126	Rear number plate	1
14	14-0101	Bolt	4
15	D2329	Washer	4
16	14-1301	Nut	4
		} Number plate attachment	

SPECIAL EXPORT MARKET REQUIREMENTS

Not illus.	{	H4206	Top Yoke	1
		D3495	Lock c/w key	1
		D3496	Lock housing	1
		D3497	Conical spring	1
		D3498	Woodruff key	1

16th March, 1971.

LIST OF MODIFICATIONS TO 15 CU. IN. (250 C.C.) REPLACEMENT ENGINE COMPONENT

Line	Part No.	Change
-	E11953	Piston assy. (8.5:1) standard - added
-	E11954	" " (8.5:1) $\frac{1}{2}$ mm oversize - added
-	E11955	" " (8.5:1) 1 mm " "
27	E8008	now reads E11902
32	14-1627	" " S2134
33	14-1629	" " S2135
35	14-1627	" " S2133
36	E12214	" " E1670
83	E8165	" " H430
-	Crankcase undershield attachment now as follows:-	
	S2137	Stud 2 off
	D2329	Washer 2 off
	14-1301	Nut 2 off
	D2427	Spring washer 2 off
21	F13055	now reads F13721
33	D1824	Grease nipple added
34	E12501	Fibre washer added
45	H4003	now reads H4258
20	W3774	" " W3977
39	D3490	" " D3489 (107 links)
17	D2627	" " D3557
20	18/1703 (99-0031)	now reads D3585
21	18/1709 (99-1059)	" " D3586
26	D2628	now reads D3583
2	F13220	" " F13875
4	F13562	deleted - T2588
5	F9196	" "
6	S1999	" "
7	F10260	" "
9	F13320	" "
10	F13321	" "
11	F13319	" "
12	F9782	" "
13	F13055	" "
14	F13056	" "
17	F13068	" "

Page Line Part No. Change

NOTE: Petrol tank mountings for T25SS now the same as T25T.

Electrical box - later models

34 57160 now reads 57183
35 S2073 deleted

The following parts added to page 51

F13522	Mounting rubber	2 off	}	Reflector mounting
D2391	Washer	2 off		
F4717	Nut	2 off		

28 E9428 now reads E12839
29 E9517 " " E12840
30 E9381 " " E12841
47 D3658 Tachometer cable - added

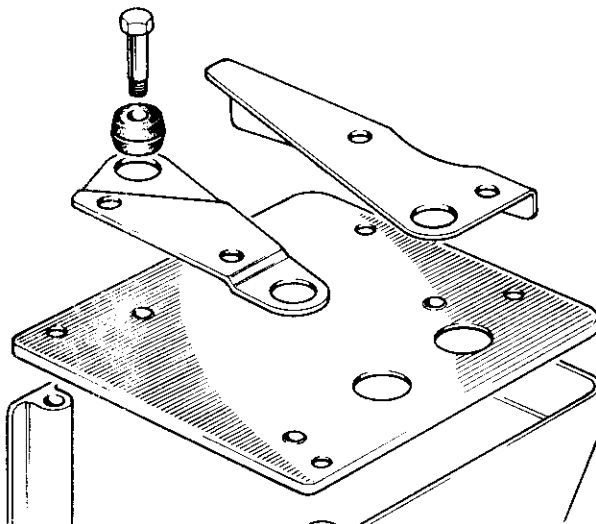
The following additional parts are required for later models:-

H4247	Flasher mounting bracket	1 off
H4248	Stanchion - front	2 off
F13528	Stanchion - rear	2 off
14-0404	Nut (inside headlamp)	2 off

3 D971 now reads D970 (plug spanner)
4 D972 " " D1907
7 D3528 deleted
- D2084 Open ended spanner - added
- D3647 Ring spanner - added
- D978 Cable clip - now reads D1297

ADDITIONAL TO PAGE 51 - ELECTRICAL BOX - LATER MODELS

1	F13808	Box - electrical components	1
2	F13811	Cover	1
3	14-6101	Bolt)	4
4	E1612	Serrated washer) Cover to box	4
5	S2128	Shoulder bolt	3
6	D3627	Grommet	3
7	E8088	Washer	3
8	F13813	Mounting bracket - rear	1
9	F13814	Mounting bracket - front	1
10	14-0101	Bolt - rear fixing	2
11	14-0102	Bolt - front fixing	2
12	D2329	Washer	4
13	14-1301	Nut	4
14	54422860	Rubber moulding (99-1199)	1
15	F12669	Capacitor support plate	2
16	S2067	Screw	2
17	E2351	Washer	2
18	E8165	Spring washer	2
19	54170009	Capacitor - 2MC (99-0737)	1
20	54420128	Condenser (99-1043)	1
21	35048	Flasher unit (99-1201)	1
22	45223	H.T. Coil (D2206)	1
23	54419974	Coil bracket (99-1202)	1
24	S2067	Screw)	2
25	E8165	Shakeproof washer) Coil to box	2
26	49345	Zener diode (99-0589)	1
27	49072	Rectifier (99-0590)	1
28	39565	Switch, ignition and lighting (99-1200)	1
29	F6981	Ignition lock c/w key	1
30	D622	Key (state serial number)	1
31	F12670	Terminal clamp strip	1
32	S1930	Screw	2
33	E2351	Washer	2
Not illus.	5495680	Sub-harness - electrical box	1
34	57160	Reflector amber (99-1119)	2
35	S2073	Screw	4
36	70216	Horn - 6H high note (99-1216)	1
37	14-0102	Bolt)	2
38	14-1301	Nut)	2
39	F13604	Spacer) Horn mounting	2
40	D3161	Grommet)	4
41	D2347	Washer)	4



16th March, 1971.

LIST OF MODIFICATIONS TO 15 cu.in.(250 c.c.)
REPLACEMENT PARTS CATALOGUE SUPPLEMENT.

<u>Page No.</u>	<u>Item</u>			
3	32	D2594	now reads	D3669
5	4	D3398	" "	E12448 ('O' ring)
5	8	D3148	" "	W4014 (spring)

The following additional parts added to Supplement:

F13170	Centre stand		1 off
F13793	Spring	} Centre stand	1 off
E2077	Pivot bolt		2 off
14-1304	Nut		2 off

Triumph Engineering Company Limited, Meriden Works,
Allesley, Coventry, England.